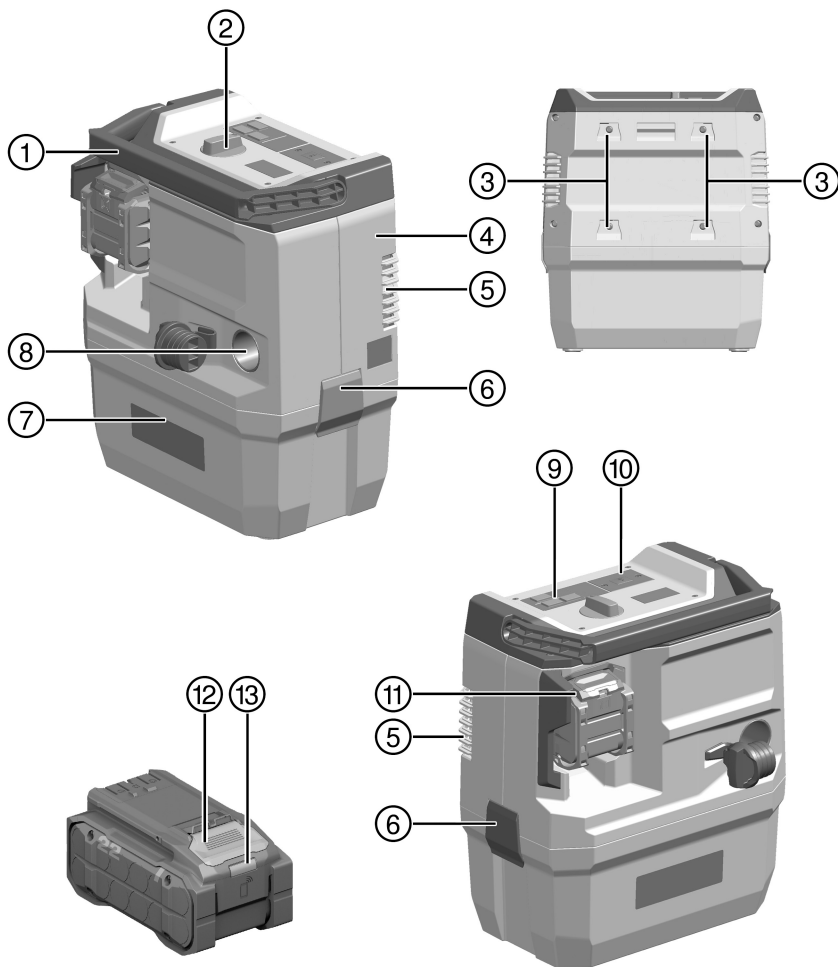


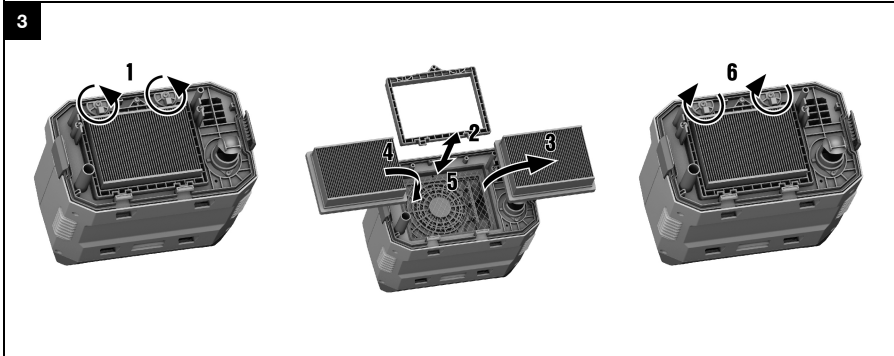
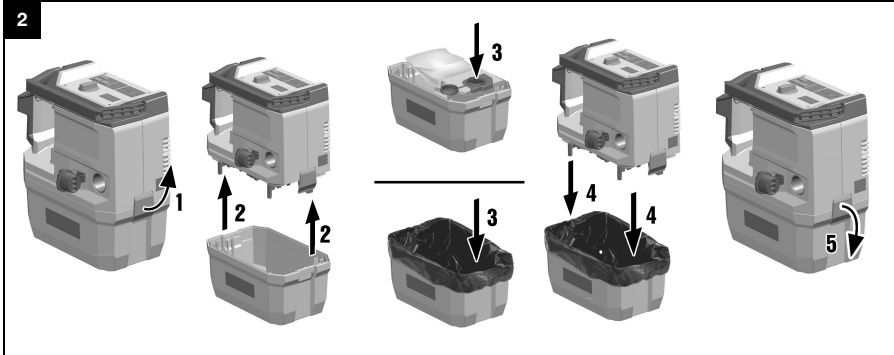


VC 140-2-22

NU<sup>R</sup>ON

English	1
Français	15
Español	31





# VC 140-2-22

en	Original operating instructions .....	1
fr	Notice d'utilisation originale .....	15
es	Manual de instrucciones original .....	31

# Original operating instructions

## 1 Information about the documentation

### 1.1 About this documentation

- Read this documentation before initial operation or use. This is a prerequisite for safe, trouble-free handling and use of the product.
- Observe the safety instructions and warnings in this documentation and on the product.
- Always keep the operating instructions with the product and make sure that the operating instructions are with the product when it is given to other persons.

### 1.2 Explanation of symbols

#### 1.2.1 Warnings

Warnings alert persons to hazards that occur when handling or using the product. The following signal words are used:

#### **DANGER**

##### **DANGER !**

- ▶ Draws attention to imminent danger that will lead to serious personal injury or fatality.

#### **WARNING**

##### **WARNING !**

- ▶ Draws attention to a potential threat of danger that can lead to serious injury or fatality.







#### **CAUTION**

##### **CAUTION !**

- ▶ Draws attention to a potentially dangerous situation that could lead to personal injury or damage to the equipment or other property.


#### 1.2.2 Symbols in the operating instructions

The following symbols are used in these operating instructions:

	Comply with the operating instructions
	Instructions for use and other useful information
	Dealing with recyclable materials
	Do not dispose of electric equipment and batteries as household waste
	<b>Hilti</b> Li-ion battery
	<b>Hilti</b> charger

#### 1.2.3 Symbols in illustrations

The following symbols are used in illustrations:

<b>2</b>	These numbers refer to the illustrations at the beginning of these operating instructions.
3	The numbering reflects the sequence of operations shown in the illustrations and may deviate from the steps described in the text.
<b>11</b>	Item reference numbers are used in the <b>overview illustration</b> and refer to the numbers used in the key in the <b>product overview</b> section.
	These characters are intended to specifically draw your attention to certain points when handling the product.



### 1.3 Product-dependent symbols

#### 1.3.1 Symbols on the product

The following symbols can be used on the product:

	Transport by crane is not permissible
	The power tool supports near-field communication (NFC) technology, which is compatible with iOS and Android platforms.

#### 1.3.2 Additional symbols for cordless products

The following symbols are used on the product:

	<b>Hilti</b> Li-ion battery type series used. Observe the information given in the section headed <b>Intended use</b> .
Li-ion	Li-ion battery
	Never use the battery as a striking tool.
	Do not drop the battery. Never use a battery that has suffered an impact or is damaged in any other way.

### 1.4 Product information

products are designed for professional users and only trained, authorized personnel are permitted to operate, service and maintain the products. This personnel must be specifically informed about the possible hazards. The product and its ancillary equipment can present hazards if used incorrectly by untrained personnel or if used not in accordance with the intended use.

The type designation and serial number are printed on the rating plate.

- ▶ Write down the serial number in the table below. You will be required to state the product details when contacting Hilti Service or your local Hilti organization to inquire about the product.

#### Product information

Cordless vacuum cleaner	VC 140-2-22
Generation	01
Serial no.	

## 2 Safety

### 2.1 General safety instructions for electric devices

**WARNING! Read all safety precautions and other instructions.** Failure to observe the safety instructions and other instructions can result in electric shock, fire and/or serious injury.

Keep all safety precautions and instructions for future reference.

- ▶ The vacuum cleaner is not intended for use by persons (including children) with physical, sensory or mental disabilities or persons lacking the appropriate experience and/or knowledge.
- ▶ Only persons who are familiar with it, who have been trained in how to use it safely and who understand the resulting hazards are permitted to use the vacuum cleaner. The product is not intended for use by children.
- ▶ Do not allow children to play with the product. Do not allow unsupervised children to clean the device or to carry out user-maintenance tasks.
- ▶ Do not cover or obstruct openings in the housing. Do not operate the vacuum cleaner with openings in the housing covered or obstructed. Keep the openings in the housing free of dust, lint, strands of hair, and everything that could reduce the air flow.
- ▶ Use extra care when working on stairs.
- ▶ Switch the product off before removing the battery.
- ▶ Remove the battery before making adjustments to the product, changing accessories, or putting the product away. This safety precaution prevents the product from starting accidentally.
- ▶ Pay attention to your posture whenever you lift or carry the product. Avoid lifting and carrying heavy objects.



## 2.2 Additional safety instructions for vacuum cleaners

### Work area safety

- ▶ Keep bystanders, children and visitors away while operating the power tool. Distractions may cause you to lose control of the tool.

### Personal safety

- ▶ Stay alert, watch what you are doing and use common sense when operating a power tool. Do not use a power tool while you are tired or under the influence of drugs, alcohol or medication. A moment of inattention while operating the power tool may result in serious personal injury.
- ▶ Wear your personal protective equipment and always wear protective glasses. Depending on the type of power tool you are using and its purpose, wearing safety equipment such as a dust mask, slip-resistant safety shoes, a hard hat or hearing protection will reduce the risk of injury.
- ▶ Do not use the vacuum cleaner in heavily dust-laden ambient air.
- ▶ Misuse can result in liquid escaping from the battery. Avoid contact with the liquid. Liquid escaping from the battery can cause skin irritation or burns. If contact occurs, rinse off with water. In the event of the liquid coming into contact with the eyes, rinse the eyes with plenty of water and consult a doctor.

### Using and handling the power tool

- ▶ Store power tools out of reach of children when not in use. Do not allow persons who are not familiar with the tool or these instructions to operate it. Power tools are dangerous in the hands of inexperienced persons.
- ▶ Take good care of the power tool. Check that moving parts operate satisfactorily and do not jam, and make sure that no parts are broken or damaged in such a way that the power tool might no longer function correctly. Have damaged parts repaired before using the tool. Many accidents are caused by poorly maintained power tools.
- ▶ Use power tools, accessories, insert tools, etc. in accordance with these instructions. Take the working conditions and the work to be performed into account. Use of power tools for applications other than those intended can result in hazardous situations.
- ▶ Use the right power tool for the job. Do not use the power tool for purposes for which it was not intended. Use it only as directed and when in faultless condition.
- ▶ Operate the vacuum cleaner only with the filter installed.
- ▶ Avoid unintentional starting. Switch the power tool off before inserting the battery and before lifting or transporting the power tool. Never carry the power tool with your finger on the on/off switch. Always remove the battery when the power tool is not in use, before maintenance, before changing accessory tools and in preparation for and throughout transport.
- ▶ Do not use the vacuum cleaner as a seat or as a step.
- ▶ When fitting the suction head on to the vacuum cleaner, take care to avoid pinching your fingers.

### Service

- ▶ Have the power tool repaired only by a qualified specialist using only genuine Hilti spare parts. The safety of the power tool can thus be maintained.

## 2.3 The material vacuumed up

- ▶ **Do not use the vacuum cleaner to vacuum up hazardous dusts of a dust class higher than the dust class for which the vacuum cleaner is rated. Do not use the vacuum cleaner to vacuum up flammable and/or explosive dusts (e.g. magnesium or aluminum dust). Do not use the vacuum cleaner to vacuum up materials hotter than 60 °C (140 °F) (e.g. glowing cigarettes, hot ash).**
- ▶ Before starting work, always check the hazard class of harmful dust that can be produced in working operations. Materials harmful to health such as asbestos and lead are explicitly **not** included in the intended use of the product and working with them is not permitted → page 5. If you work with materials containing lead or asbestos nevertheless, the manufacturer's warranty for your product is voided.
- ▶ Dust produced by grinding, sanding, cutting and drilling can contain dangerous chemicals. Some examples are: lead or lead-based paints; brick, concrete and other masonry products, natural stone and other products containing quartz; certain types of wood, such as oak, beech and chemically treated wood; asbestos or materials that contain asbestos. Determine the exposure of the operator and bystanders by means of the hazard classification of the materials to be worked. Implement the necessary measures to restrict exposure to a safe level, for example by the use of a dust collection system or by the wearing of suitable respiratory protection. The general measures for reducing exposure include:
  - ▶ working in an area that is well ventilated,
  - ▶ avoidance of prolonged contact with dust,



- ▶ directing dust away from the face and body,
- ▶ wearing protective clothing and washing exposed areas of the skin with water and soap.
- ▶ **Do not use the appliance to vacuum up flammable, explosive or aggressive liquids (coolants and lubricants, gasoline, solvents, acids (pH < 5), alkalies (pH > 12.5), etc.).**
- ▶ **Switch the vacuum cleaner off immediately if foam or liquids escape from it.**
- ▶ **Wear protective gloves when using the appliance to vacuum up hot materials at temperatures up to 60 °C (140 °F).**
- ▶ **When working with mineral drilling slurry, wear protective clothing and avoid skin contact with the slurry (pH > 9: caustic).**
- ▶ **Avoid contact with alkaline or acidic liquids. If contact accidentally occurs, rinse with water. In the event of the liquid coming into contact with the eyes, rinse the eyes with plenty of water and consult a doctor.**

#### 2.4 Battery use and care

- ▶ **Comply with the following safety instructions for the safe handling and use of Li-ion batteries.** Failure to comply can lead to skin irritation, severe corrosive injury, chemical burns, fire and/or explosion.
- ▶ Use only batteries that are in perfect working order.
- ▶ Treat batteries with care in order to avoid damage and prevent leakage of fluids that are extremely harmful to health!
- ▶ Do not under any circumstances modify or tamper with batteries!
- ▶ Do not disassemble, crush or incinerate batteries and do not subject them to temperatures over 80 °C (176 °F).
- ▶ Never use or charge a battery that has suffered an impact or been damaged in any other way. Check your batteries regularly for signs of damage.
- ▶ Never use recycled or repaired batteries.
- ▶ Never use the battery or a battery-operated power tool as a striking tool.
- ▶ Never expose batteries to the direct rays of the sun, elevated temperature, sparking, or open flame. This can lead to explosions.
- ▶ Do not touch the battery poles with your fingers, tools, jewelry, or other electrically conductive objects. This can damage the battery and also cause material damage and personal injury.
- ▶ Keep batteries away from rain, moisture and liquids. Penetrating moisture can cause short circuits, electric shock, burns, fire and explosions.
- ▶ Use only chargers and power tools approved for the specific battery type. Read and follow the relevant operating instructions.
- ▶ Do not use or store the battery in explosive environments.
- ▶ If the battery is too hot to touch, it may be defective. Put the battery in a place where it is clearly visible and where there is no risk of fire, at an adequate distance from flammable materials. Allow the battery to cool down. If it is still too hot to touch after an hour, the battery is faulty. Consult **Hilti** Service or read the document entitled "Instructions on safety and use for **Hilti** Li-ion batteries".



Observe the special guidelines applicable to the transport, storage and use of lithium-ion batteries.  
→ page 13

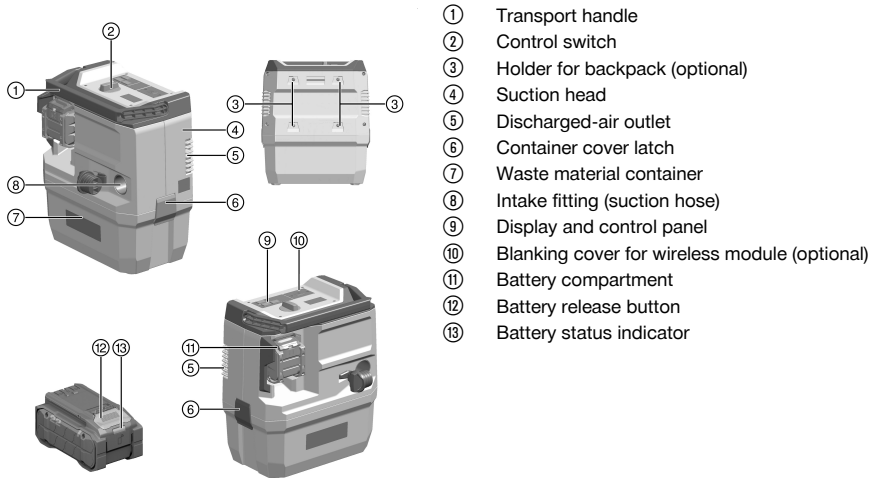
Read the instructions on safety and use of **Hilti** Li-ion batteries that you can access by scanning the QR code at the end of these operating instructions.





### 3 Description

#### 3.1 Product overview



#### 3.2 Intended use

The product described is a cordless dust extractor and is designed for the commercial sector, e.g. for use on construction sites, in hotels, schools, hospitals, factories, stores and offices, and by rental companies. It is designed for applications in the wet and dry sectors.

Use of the product to clean down persons or animals is not permissible. Underwater use is not permissible. This product is approved for the **Hilti SafeSet** application.

The products described here meet the requirements of the OSHA 1926.1153 Regulation, Table 1.

- ▶ Before beginning work with the product, find out how to operate it correctly and about any hazards associated with the materials you will be working with and how these materials can be disposed of safely.
- ▶ Do not use the product for continuous, stationary operation in automatic or semi-automatic systems.
- ▶ To reduce the risk of injury, use only genuine **Hilti** accessories and accessory tools.
- ▶ Use an anti-static suction hose in order to avoid electrostatic effects.
- ▶ Do not vacuum up objects or materials that could cause injury by piercing through the dust bag (e.g. pointed or sharp objects).
- ▶ Do not stand on the product (do not use it as a substitute for a ladder).
- ▶ Observe the accident prevention regulations applicable in your country.

This product is suitable for the following applications in commercial use:

- Vacuuming up small quantities of dust from **Hilti** diamond grinders, cut-off saws, rotary hammer drills and core drilling machines using dry-cutting core bits.
- Vacuuming up oil and liquid media up to a temperature < 60 °C (140 °F).
- Wet and/or dry cleaning of wall and floor surfaces

With vacuum cleaners it is necessary to make provision for an adequate rate of air exchange (L) in the room in situations where the expelled air is returned to the room. Comply with national regulations.

- For this product, use only **Hilti** Nuron lithium-ion batteries of the B 22 series. For optimum performance, **Hilti** recommends the batteries stated in the table at the end of these operating instructions for this product.
- For these batteries, use only **Hilti** chargers of the type series stated in the table at the end of these operating instructions.



### 3.3 Possible misuse

- Do not operate the vacuum cleaner when it is laid flat.
- Do not use the vacuum cleaner to vacuum up substances that present a risk of explosion, glowing, burning or flammable substances or aggressive dusts (e.g. magnesium or aluminum dust) (exception: wood shavings).
- Do not use the vacuum cleaner to vacuum up flammable liquids (e.g. gasoline, solvents, acids, coolants and lubricants, etc.).
- Do not use the appliance to vacuum up materials that are hazardous to health (e.g. asbestos).

### 3.4 Instructions for use

#### Accessories and types of use

Article no.	Accessories	Type of use
2305010	VC 10-22/140-2-22 universal filter	Working with mineral materials, wet and dry
2305014	Non-woven dust bag <b>VC 10-22/140-2-22 (10)</b>	Working with mineral materials, wet and dry
2305017	VC 10-22/140-2-22 (10) plastic dust bag	Working with mineral materials, wet and dry
2305011	<b>HEPA/H VC 10-22/140-2-22</b> filter	Special filter for highly hazardous dusts.

### 3.5 Hilti SafeSet application

**Hilti SafeSet** is a method for optimum setting of chemical anchors. All **SafeSet** components are optimally matched to each other and as an overall system they are tested and approved in accordance with the international approval stipulations.



For more information visit [www.hilti.group](http://www.hilti.group) or contact your **Hilti** specialist for chemical anchors.

Before using the product with the **Hilti SafeSet** application, comply with all the following instructions and precautions:

- ▶ Use the product only when it is in perfect working order. Make sure that the seal between the waste material container and the suction head is undamaged and that it seals correctly.
- ▶ Check the condition of the filter. If the filter is worn or clogged, change the filter. → page 12
- ▶ Empty the container before you start working with the product.
- ▶ Make sure that the hose is not rolled up completely or kinked.
- ▶ Make sure that the suction hose is intact and leaktight.
- ▶ Use only the genuine suction hose. Do not use extensions or Y adapters for the suction hose.
- ▶ When using non-woven dust bags, always insert a new non-woven dust bag in preparation for a **SafeSet** application.
- ▶ Always use the operating mode with the maximum suction power. The **ECO** operating mode is not approved for **SafeSet** applications.

### 3.6 Items supplied

Wet/dry vacuum cleaner including filter element, suction hose complete with rotary connector (at the vacuum cleaner end) and accessory tool connector, operating instructions



Other system products approved for use with this product can be found at your local **Hilti Store** or at: [www.hilti.group](http://www.hilti.group)

### 3.7 Bluetooth

This product is equipped with Bluetooth (optional).

Bluetooth is a wireless data transfer system by which the two Bluetooth-enabled products can communicate with each other over a short distance.



### 3.8 Status indicators of the Li-ion battery

Hilti Nuron Li-ion batteries can indicate state of charge, fault messages and the battery's state of health.

#### 3.8.1 Indicators for state of charge and fault messages



#### WARNING

##### Risk of injury by a falling battery!

- ▶ If the release button is pressed with a battery inserted in the product, subsequently check that the battery is correctly re-engaged and secure.

Short-press the release button of the battery to get whichever of the following status indications is applicable at the time.

State of charge and, if applicable, faults are indicated constantly as long as the connected product is switched on.

Status	Meaning
Four (4) LEDs show constantly green	State of charge: 100 % to 71 %
Three (3) LEDs show constantly green	State of charge: 70 % to 51 %
Two (2) LEDs show constantly green	State of charge: 50 % to 26 %
One (1) LED shows constantly green	State of charge: 25 % to 10 %
One (1) LED slow-flashes green	State of charge: < 10 %
One (1) LED quick-flashes green	The Li-ion battery is completely discharged. Recharge the battery. If the LED again starts quick-flashing after the battery has been charged, consult <b>Hilti Service</b> .
One (1) LED quick-flashes yellow	The Li-ion battery or the product in which it is inserted is overloaded, too hot or too cold, or experiencing some other fault. Bring the product and the battery to the recommended working temperature and do not overload the product when it is in use. If the message persists, consult <b>Hilti Service</b> .
One (1) LED shows yellow	The Li-ion battery and the product in which it is inserted are not compatible. Consult <b>Hilti Service</b> .
One (1) LED quick-flashes red	The Li-ion battery is locked and cannot be used. Consult <b>Hilti Service</b> .

#### 3.8.2 Indicators showing the battery's state of health

To check the battery's state of health, press the release button and hold it down for longer than three seconds. The system does not detect a potential malfunction of the battery due to misuse, for example battery dropped or pierced, external heat damage, etc.

Status	Meaning
All LEDs show in sequence, followed by one (1) LED showing constantly green.	The battery can remain in use.
All LEDs show in sequence, followed by one (1) LED quick-flashing yellow.	The check to ascertain the battery's state of health did not complete. Repeat the procedure, or consult <b>Hilti Service</b> .
All LEDs show in sequence, followed by one (1) LED showing constantly red.	If a connected product can still be used, the remaining battery capacity is below 50 %. If a connected product can no longer be used, the battery has reached the end of its useful life and has to be replaced. Consult <b>Hilti Service</b> .

### 3.9 Indicators and warnings

The vacuum cleaner has various monitoring systems that issue visual warnings (LEDs) or emit acoustic warnings (warning tone):



### Fill level monitoring

LED shows: The automatic cut-out in wet mode is active.

- ▶ Empty the container and clean the sensors.

### Air speed warning signal

LED shows: The air speed in the suction hose has dropped below 20 m/s.

- ▶ Follow the instructions in the "Troubleshooting" section.

In order to ensure that the acoustic warning is emitted correctly, the hose diameter setting must be set to the diameter of the suction hose in use.

## 3.10 Filter cleaning

### WARNING

**Injury to respiratory system due to dust loading!** System applications (particularly grinding, cutting and slitting) and the SafeSet application can cause considerable dust loads.

- ▶ Operate the product in system applications and the SafeSet application only with automatic filter cleaning activated.

The filter cleaning system functions only when a suction hose is connected.

The vacuum cleaner has manual and automatic filter cleaning that removes most of the dust adhering to the filter element.

Automatic filter cleaning can be switched off by pressing the "Automatic filter cleaning" button and switched back on by pressing the button again.

Status	Meaning
LED lights.	The filter cleaning system is active.
LED doesn't light.	The filter cleaning system is not active.

The filter cleaning system is activated automatically each time the vacuum cleaner is switched on.

The filter element is cleaned automatically by a blast of air (a pulsating noise is heard).

In order to maintain continuously high suction power, in system applications (especially grinding and sanding, cutting and slitting) or when collecting large quantities of dust, automatic filter cleaning must be activated.

Independently of automatic filter cleaning, you can clean the filter at any time by pressing the "Manual filter cleaning" button.

Power cleaning: To achieve maximum power for filter cleaning, press the "Manual filter cleaning" button while at the same time keeping the end of the hose closed.

## 4 Technical data

### 4.1 Product properties

	VC 140-2-22
<b>Weight</b>	13 lb (6 kg)
<b>Dimensions (L × W × H)</b>	8.5 in × 13.8 in × 15.7 in (215 mm × 350 mm × 400 mm)
<b>Max. volume flow rate (turbine data)</b>	142 CFM (67 ℓ/s)
<b>Max. vacuum</b>	2 psi (17 kPa)
<b>Container capacity</b>	2 liq. gal <sub>US</sub> (8 ℓ)



	<b>VC 140-2-22</b>
<b>Effective dust capacity</b>	15 lb (7 kg)
<b>Effective water capacity</b>	1 liq. gal <sub>US</sub> (5 ℓ)
<b>Air temperature</b>	14 °F ... 104 °F (-10 °C ... 40 °C)
<b>Automatic filter cleaning</b>	time-controlled
<b>Power input</b>	1.01 hp (750 W)
<b>Protection class</b>	I
<b>Protection class</b>	IP X4

## 4.2 Battery

<b>Battery operating voltage</b>	21.6 V
<b>Weight, battery</b>	See the end of these operating instructions
<b>Ambient temperature for operation</b>	1 °F ... 140 °F (-17 °C ... 60 °C)
<b>Storage temperature</b>	-4 °F ... 104 °F (-20 °C ... 40 °C)
<b>Battery charging starting temperature</b>	14 °F ... 113 °F (-10 °C ... 45 °C)

## 5 Preparations at the workplace

### WARNING

#### Risk of injury by inadvertent starting!

- ▶ Before inserting the battery, make sure that the product is switched off.
- ▶ Remove the battery before making any adjustments to the power tool or before changing accessories.

Observe the safety instructions and warnings in this documentation and on the product.

### 5.1 Charging the battery

1. Before charging the battery, read the operating instructions for the charger.
2. Make sure that the contacts on the battery and the contacts on the charger are clean and dry.
3. Use an approved charger to charge the battery. → page 5

### 5.2 Inserting the battery

#### WARNING

#### Risk of injury by short circuit or falling battery!

- ▶ Before inserting the battery, make sure that the contacts on the battery and the contacts on the product are free of foreign matter.
- ▶ Make sure that the battery always engages correctly.

1. Charge the battery fully before using it for the first time.
2. Push the battery into the product until it engages with an audible click.
3. Check that the battery is seated securely.

### 5.3 Removing the battery

1. Press the battery release button.
2. Remove the battery from the product.



#### 5.4 Changing the dust bag 2

1. Set the control switch to the **OFF** position.
2. Open the 2 latches.
3. Lift the suction head off the waste material container.
4. Remove the dust bag.
  - ▶ Dispose of the dust bag in accordance with the applicable regulations.
5. Secure the holder with the dust bag to the ribs of the waste material container.
6. Fit the suction head on to the waste material container and close the 2 catches.

#### 5.5 Connecting/disconnecting the suction hose

1. To connect, push the suction hose into the intake fitting.
2. To disconnect, twist the suction hose back and forth and pull it out of the intake fitting.

## 6 Operation



### DANGER

**Risk of injury.** Class L, class M and class H vacuum cleaners contain dust that is hazardous to health.

- ▶ Emptying and maintenance, including disposal of the dust collection container, may be carried out only by trained and qualified specialists. Wear the appropriate protective equipment.
- ▶ Before removing the vacuum cleaner from an area contaminated with hazardous substances, use the vacuum cleaner to clean off its own exterior, wipe it clean or place it in a sealed bag or container. As all parts of the appliance must be considered to be contaminated, suitable measures to avoid spreading the dust must be implemented before these parts are removed from the hazardous area.
- ▶ Never operate the vacuum cleaner without the complete filter system fitted.



### WARNING

**Risk of injury.** Damage to the filter system may allow harmful dust (health hazard) to escape.

- ▶ In an emergency (e.g. filter ruptured), switch the vacuum cleaner off, unplug the supply cord from the power outlet and have the vacuum cleaner checked by a trained and qualified person before further use.



### CAUTION

**Risk of injury presented by the appliance running away out of control.** The vacuum cleaner may run away out of control if the wheel brakes are not engaged.

- ▶ Engage the wheel brakes so that the vacuum cleaner stands securely.

#### 6.1 Switching the vacuum cleaner on or off



You can prolong battery runtime by activating operation with reduced suction power.

→ To activate or deactivate, press the **ECO** button.

You can operate the vacuum cleaner by means of a Bluetooth module and corresponding remote control unit (optional accessory).


→ Set the control switch to the **BLUETOOTH** position.

Read and observe the instructions on safety and use in the operating instructions of the accessory.

1. To switch on, turn the control switch to the **ON** position.
2. To switch off, set the control switch to the **OFF** position.

#### 6.2 Bump-cleaning the filter

You can bump-clean the filter only when the vacuum cleaner is switched on.

1. Close off the end of the hose.
  - ▶ This maximizes bump-cleaning power.
2. Wait until maximum vacuum has built up.
3. Press the  operating button.



### 6.3 Vacuuming up dry dust

Before vacuuming up dry dust, especially dust from mineral materials, always check to ensure that the correct dust bag is fitted in the container. The material vacuumed up by the vacuum cleaner can then be disposed of cleanly and easily.

#### CAUTION

**Risk of injury by dusts that are hazardous to health!** Hazardous material that has been vacuumed up can escape if a filter element is not used.

- ▶ Use the vacuum cleaner only with a filter element installed.
- ▶ Check that the filter element is dry and that the correct type of dust bag is fitted.

### 6.4 Vacuuming up liquids

#### CAUTION

**Risk of injury by dusts that are hazardous to health!** Hazardous material that has been vacuumed up can escape if a filter element is not used.

- ▶ Use the vacuum cleaner only with a filter element installed.

When the appliance is used to vacuum up drilling slurry and solid materials, there is a possibility of the filter element being damaged. Take note of changes in suction power when vacuuming up these substances.

1. Check the container level monitoring system. → page 13
2. If possible, use a separate filter element for wet applications.

### 6.5 After vacuuming up liquids

1. Open the 2 latches.
2. Lift the suction head off the waste material container and place the suction head on a level surface.
  - ▶ Allow the filter element to dry.
3. Empty the waste material container and use a water hose to wash out the waste material container.
4. Check the container level monitoring system. → page 13
5. Clean the dry filter element by wiping it with your hand.
6. Check the filter element for damage.
  - ▶ Replace a damaged filter element.

### 6.6 After use of the vacuum cleaner

1. Turn the control switch to the **OFF** position.
2. Empty the container and clean the vacuum cleaner with a damp cloth.
3. Store the vacuum cleaner in a secure, dry place where it is inaccessible to unauthorized users.
  - ▶ CAUTION This vacuum cleaner may be stored only indoors.

## 7 Care and maintenance

#### WARNING

**Risk of injury with battery inserted !**

- ▶ Always remove the battery before carrying out care and maintenance tasks!

#### Care of the product

- Carefully remove stubborn dirt.
- Carefully clean the air vents, if present, with a dry, soft brush.
- Use only a slightly damp cloth to clean the housing. Do not use cleaning agents containing silicone as these can attack the plastic parts.
- Use a dry, clean cloth to clean the contacts of the product.



### Care of the Li-ion batteries

- Never use a battery with clogged air vents. Clean the air vents carefully using a dry, soft brush.
- Avoid unnecessary exposure of the battery to dust and dirt. Never expose the battery to high levels of moisture (e.g. by being dipped in water or left in the rain).  
If a battery has been soaked by moisture, treat it as a damaged battery. Isolate it in a non-flammable container and consult **Hilti Service**.
- Keep the battery free of extraneous oil and grease. Do not permit dust or dirt to accumulate unnecessarily on the battery. Clean the battery with a dry, soft brush or a clean, dry cloth. Do not use cleaning agents containing silicone as these can attack the plastic parts.  
Do not touch the contacts of the battery and do not remove the factory-applied grease from the contacts.
- Use only a slightly damp cloth to clean the housing. Do not use cleaning agents containing silicone as these can attack the plastic parts.

### Maintenance

- Check all visible parts and controls for signs of damage at regular intervals and make sure that they all function correctly.
- Do not use the product if signs of damage are found or if parts malfunction. Immediately have the product repaired by **Hilti Service**.
- After cleaning and maintenance, install all guards and protective devices and check that they are in full working order.



To help ensure safe and reliable operation, use only genuine Hilti spare parts and consumables. Spare parts, consumables and accessories approved by **Hilti** for use with your product can be found at your **Hilti Store** or online at: [www.hilti.group](http://www.hilti.group)

## 7.1 Instructions for care of vacuum cleaners

### WARNING

**Electric shock hazard!** Improper repairs to electrical parts can lead to serious injuries due to electric shock.

- ▶ Electrical parts may be repaired only by trained electrical specialists.
- 
- ▶ Keep the vacuum cleaner, especially its grip surfaces, clean and free from oil and grease. Do not use cleaning agents containing silicone.
  - ▶ Never operate the vacuum cleaner when the air vents are blocked! Clean the air vents carefully using a dry brush. Prevent foreign matter from penetrating inside the turbine aperture.
  - ▶ Clean the exterior of the vacuum cleaner with a slightly damp cloth at regular intervals. Do not use a spray system, pressure jet washer or running water for cleaning as this could negatively affect the electrical safety of the vacuum cleaner.
  - ▶ Clean the top edge of the waste material container and its groove with particular care, because cleanliness here is decisive for the seal between waste material container and suction head.

## 7.2 Filter cleaning



The condition of the filter element deteriorates with use.

Do not clean the filter element by knocking it against hard surfaces. Avoid compressed-air cleaners and pointed objects that can damage the filter material. By complying with these precautions you prolong the usable life of the filter element.

- ▶ Replace the filter element at least every six months.
- ▶ Replace the filter element more frequently if the appliance is used intensively.

## 7.3 Changing the filter

1. Set the control switch to the **OFF** position.
2. Open the 2 catches.
3. Lift the suction head off the waste material container, turn the suction head upside down and lay it aside.
4. Turn the filter latches through 180 °.
5. Remove the filter frame with filter.
  - ▶ Make sure that no foreign matter drops into the turbine aperture!
6. Remove all dust from the seal and from the filter frame holder.

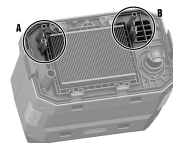




7. Set the filter frame on a new filter.
8. Fit the filter frame complete with filter into the holder for the filter frame.
9. Lock the filter frame into position with the filter latches.
10. Fit the suction head on to the waste material container and close the two catches.
11. If applicable, remove dust that has dropped from the filter element or the vacuum cleaner.

#### 7.4 Checking the container level monitoring system

1. Set the control switch to the **OFF** position.
2. Open the 2 catches.
3. Lift the suction head off the waste material container, turn the suction head upside down and lay it aside.
  - ▶ Allow the filter element to dry.
4. Check cut-off contacts (wire sensors) **(A)** and **(B)** for dirt accretions and if necessary, brush the contacts clean with a soft brush.
5. Check the seal at the vacuum cleaner top section and clean it with a cloth if necessary.
6. Position the vacuum cleaner top section on top of the waste material container.
7. Close the two catches.
8. Check to ensure that the suction head is fitted correctly and secured.



## 8 Transport and storage of cordless tools and batteries

### Transport

#### CAUTION

#### Accidental starting during transport !

- ▶ Always transport your products with the batteries removed!
- ▶ Remove the battery/batteries.
- ▶ Never transport batteries loose and unprotected. During transport, batteries should be protected from excessive shock and vibration and isolated from any conductive materials or other batteries that may come in contact with the terminals and cause a short circuit. **Comply with the locally applicable regulations for transporting batteries.**
- ▶ Do not send batteries through the mail. Consult your shipper for instructions on how to ship undamaged batteries.
- ▶ Prior to each use and before and after prolonged transport, check the product and the batteries for damage.

### Storage

#### WARNING

#### Accidental damage caused by defective or leaking batteries !

- ▶ Always store your products with the batteries removed!
- ▶ Store the product and the batteries in a cool and dry place. Comply with the temperature limits stated in the technical data.
- ▶ Do not store batteries on the charger. Always remove the battery from the charger when the charging operation has completed.
- ▶ Never leave batteries in direct sunlight, on sources of heat, or behind glass.
- ▶ Store the product and batteries where they cannot be accessed by children or unauthorized persons.
- ▶ Prior to each use and before and after prolonged storage, check the product and the batteries for damage.

### 8.1 Transport

Do not attempt to crane-lift the vacuum cleaner.


- ▶ Remove loose accessory tools from the holder.
- ▶ Empty the vacuum cleaner before the vacuum cleaner is to be carried to another location.





- ▶ After using it to vacuum up liquids, do not tilt the vacuum cleaner and transport the vacuum cleaner in the upright position only.
- ▶ Use the tapered adapter to connect both ends of the hose together conveniently for transport.

## 9 Troubleshooting

If a problem occurs, always observe the status indicator of the battery. See the section headed **Status indicators of the Li-ion battery**.

 If the trouble you are experiencing is not listed in this table or you are unable to rectify the problem by yourself, contact **Hilti Service**.

Trouble or fault	Possible cause	Action to be taken
The battery doesn't engage with an audible click.	The retaining lug on the battery is dirty.	▶ Clean the retaining lug and push the battery in until it engages.
LEDs of the battery show nothing	Battery faulty.	▶ Contact <b>Hilti Service</b> .
Reduced suction performance.	The waste material container is full.	▶ Empty the waste material container.
	The suction hose or nozzle is blocked.	▶ Clean the suction hose and nozzle.
	The filter is clogged	▶ Bump-clean the filter. → page 10
		▶ Change the filter. → page 12
		▶ Check that the filter is seated correctly.
	The suction hose or nozzle is damaged.	▶ Replace the suction hose or nozzle.
The suction hose is not engaged.	▶ Connect/disconnect the suction hose. → page 10	
 LED shows, the vacuum cleaner switches off automatically.	The waste material container is full.	▶ Empty the waste material container.
 LED shows: The air speed in the suction hose has dropped below 20 m/s.	The dust bag is full.	▶ Change the dust bag.
	The filter element is clogged with dirt or dust.	▶ If the automatic filter cleaning system is deactivated, activate it and allow the vacuum cleaner to run for 30 seconds.
	The suction hose or dust hood on the electric tool is blocked.	▶ Clean the suction hose and the dust hood.
	The hose diameter setting is incorrect.	▶ Set the hose diameter.
Dust is blown out of the appliance.	The filter element is not fitted correctly.	▶ Correctly re-install the filter element. → page 12
	The filter element is damaged.	▶ Install a new filter element. → page 12
Slight electric shocks are felt.	Electrostatic discharge.	▶ Increase the air humidity. ▶ Operate the vacuum cleaner in <b>ECO</b> mode.



## 10 Disposal

### WARNING

**Risk of injury due to incorrect disposal!** Health hazards due to escaping gases or liquids.

- ▶ DO NOT send batteries through the mail!
- ▶ Cover the terminals with a non-conductive material (such as electrical tape) to prevent short circuiting.
- ▶ Dispose of your battery out of the reach of children.
- ▶ Dispose of the battery at your **Hilti Store**, or consult your local governmental garbage disposal or public health and safety resources for disposal instructions.

Most of the materials from which **Hilti** products are manufactured can be recycled. The materials must be correctly separated before they can be recycled. In many countries, your old tools, machines or appliances can be returned to **Hilti** for recycling. Ask **Hilti Service** or your Hilti sales representative for further information.



- ▶ Do not dispose of power tools, electronic equipment or batteries as household waste!

## 11 Manufacturer's warranty

- ▶ Please contact your local **Hilti** representative if you have questions about the warranty conditions.

## 12 FCC statement (applicable in US) / IC statement (applicable in Canada)

This device has been tested and found to comply with the limits for a class A digital device, pursuant to part 15 of the FCC rules. These limits are intended to ensure adequate protection against electromagnetic interference when the device is operated in areas used for commercial purposes. This equipment generates, uses, and can radiate radio frequency energy and, if not installed and used in accordance with the instructions, may cause interference to radio communications. The user must bear costs incurred due to interference that operation of this device in residential areas can cause.

This device is in compliance with paragraph 15 of the FCC rules and the RSS-210 specifications of ISED. Operation is subject to the following two conditions:

- This device shall cause no harmful interference.
- This device must accept any interference received, including interference that may cause undesired operation.

Changes or modifications not expressly approved by **Hilti** may restrict the user's authorization to operate the equipment.

## 13 Further information

For more information on operation, technology, environment and recycling, follow this link: [qr.hilti.com/manual?id=2232123&id=2253454](https://qr.hilti.com/manual?id=2232123&id=2253454)

This link is also to be found at the end of the operating instructions, in the form of a QR code.

## Notice d'utilisation originale

### 1 Indications relatives à la documentation

#### 1.1 À propos de cette documentation

- Lire intégralement la présente documentation avant la mise en service. C'est la condition préalablement requise pour assurer la sécurité du travail et un maniement sans perturbations.
- Bien respecter les consignes de sécurité et les avertissements de la présente documentation ainsi que celles figurant sur le produit.
- Toujours conserver le mode d'emploi à proximité du produit et uniquement le transmettre à des tiers avec ce mode d'emploi.



## 1.2 Explication des symboles

### 1.2.1 Avertissements

Les avertissements attirent l'attention sur des dangers liés à l'utilisation du produit. Les termes de signalisation suivants sont utilisés :



**DANGER !**

- Pour un danger imminent qui peut entraîner de graves blessures corporelles ou la mort.



**AVERTISSEMENT !**

- Pour un danger potentiel qui peut entraîner de graves blessures corporelles ou la mort.



**ATTENTION !**

- Pour une situation potentiellement dangereuse pouvant entraîner des blessures corporelles ou des dégâts matériels.

### 1.2.2 Symboles dans le manuel d'utilisation

Les symboles suivants sont utilisés dans le présent manuel d'utilisation :

	Respecter le manuel d'utilisation
	Pour des conseils d'utilisation et autres informations utiles
	Maniement des matériaux recyclables
	Ne pas jeter les appareils électriques et les accus dans les ordures ménagères
	<b>Hilti</b> Accu Li-Ion
	<b>Hilti</b> Chargeur

### 1.2.3 Symboles dans les illustrations

Les symboles suivants sont utilisés dans les illustrations :

<b>2</b>	Ces chiffres renvoient à l'illustration correspondante au début du présent manuel d'utilisation.
3	La numérotation détermine la séquence des étapes de travail dans l'image et peut se différencier de celles des étapes de travail dans le texte.
11	Les numéros de position sont utilisés dans l'illustration <b>Vue d'ensemble</b> et renvoient aux numéros des légendes dans la section <b>Vue d'ensemble du produit</b> .
	Ce signe doit inviter à manier le produit en faisant particulièrement attention.

## 1.3 Symboles spécifiques au produit

### 1.3.1 Symboles sur le produit

Les symboles suivants peuvent être utilisés sur le produit :

	Transport par pont roulant ou grue interdit
	L'appareil prend en charge la technologie NFC qui est compatible avec les plates-formes iOS et Android.

### 1.3.2 Symboles supplémentaires sur les produits sans fil

Les symboles suivants sont utilisés sur le produit :



	Série de type d'accu Li-Ion Hilti utilisée. Observer les instructions au chapitre <b>Utilisation conforme à l'usage prévu.</b>
Li-Ion	Accu lithium-ions
	Ne jamais utiliser l'accu comme outil de percussion.
	Ne pas laisser tomber l'accu. Ne pas utiliser d'accu ayant subi un choc ou d'autres dommages.

## 1.4 Informations produit

Les produits sont destinés aux professionnels et ne doivent être utilisés, entretenus et réparés que par un personnel autorisé et formé. Ce personnel doit être spécialement instruit quant aux dangers inhérents à l'utilisation de l'appareil. Le produit et ses accessoires peuvent s'avérer dangereux s'ils sont utilisés de manière incorrecte par un personnel non qualifié ou de manière non conforme à l'usage prévu.

La désignation du modèle et le numéro de série figurent sur sa plaque signalétique.

- ▶ Inscrivez le numéro de série dans le tableau suivant. Les informations produit vous seront demandées lorsque vous contactez nos revendeurs ou services après-vente.

### Caractéristiques produit

Aspirateur sans fil	VC 140-2-22
Génération	01
N° de série	

## 2 Sécurité

### 2.1 Consignes générales de sécurité pour appareils électriques

**⚠ AVERTISSEMENT ! Lire et comprendre toutes les consignes de sécurité et instructions.** Tout manquement à l'observation des consignes de sécurité et instructions risque de provoquer une électrocution, un incendie et/ou de graves blessures.

Conservé toutes les consignes de sécurité et instructions.

- ▶ L'aspirateur n'a pas été conçu pour être utilisé par des personnes (y compris des enfants) présentant des capacités physiques, sensorielles ou mentales diminuées, ni par des personnes insuffisamment expérimentées et/ou ne disposant pas des connaissances requises.
- ▶ L'aspirateur doit uniquement être utilisé par des personnes qui connaissent bien l'appareil, ayant été formées quant à son utilisation en toute sécurité et comprenant les dangers qui en résultent. Le produit n'est pas destiné aux enfants.
- ▶ Veiller à ce que les enfants ne jouent pas avec le produit. Le nettoyage et l'entretien incombant à l'utilisateur ne doivent pas être faits par des enfants sans surveillance.
- ▶ Ne jamais couvrir les ouïes d'aération de l'appareil. Ne pas utiliser l'aspirateur si les ouïes d'aération de l'appareil sont recouvertes. Veiller à ce que les ouïes d'aération de l'appareil soient exemptes de poussières, peluches, cheveux et de tout ce qui est susceptible de réduire le flux d'air.
- ▶ Redoubler d'attention lors d'interventions sur des escaliers.
- ▶ Arrêter le produit avant d'enlever l'accu.
- ▶ Retirer le bloc-accu, avant d'effectuer des réglages sur l'appareil, de changer les accessoires ou de ranger le produit. Cette mesure de précaution empêche une mise en fonctionnement par mégarde du produit.
- ▶ Prêter attention à sa posture en soulevant ou en portant le produit. Éviter de soulever et de porter de lourdes charges.

### 2.2 Consignes de sécurité supplémentaires relatives à l'aspirateur

#### Sécurité sur le lieu de travail

- ▶ Maintenir les enfants et les personnes présentes à distance pendant l'utilisation de l'outil électroportatif. En cas d'inattention, vous risquez de perdre la maîtrise de l'appareil.

#### Sécurité des personnes

- ▶ Soyez vigilant, surveillez vos actions, faites preuve de bon sens lorsque vous utilisez l'outil électroportatif. Ne pas utiliser l'outil électroportatif en étant fatigué ou sous l'emprise de l'alcool, de drogues ou de



médicaments. Un moment d'inattention lors de l'utilisation de l'outil électroportatif peut entraîner des blessures graves.

- ▶ Utiliser un équipement de protection individuel et toujours porter une protection oculaire. Les équipements de protection individuel tels que masque antipoussière, chaussures de sécurité antidérapantes, casque de protection ou protection acoustique, selon l'utilisation de l'outil électroportatif, réduisent le risque de blessures.
- ▶ Ne pas utiliser l'aspirateur dans un environnement dont l'air est très chargé en poussière.
- ▶ En cas d'utilisation abusive, du liquide peut sortir de la batterie. Éviter tout contact avec ce liquide. Le liquide qui sort de la batterie peut entraîner des irritations de la peau ou causer des brûlures. En cas de contact, rincer à l'eau. Si le liquide rentre dans les yeux, les rincer abondamment à l'eau et consulter en plus un médecin.

### Utilisation et manieiment de l'outil électroportatif

- ▶ Conserver hors de portée des enfants les outils électroportatifs non utilisés. Ne pas permettre l'utilisation de l'appareil à des personnes qui ne se sont pas familiarisées avec celui-ci ou qui n'ont pas lu ces instructions. Les outils électroportatifs sont dangereux lorsqu'ils sont entre les mains de personnes non initiées.
- ▶ Prendre soin des outils électroportatifs. Vérifier que les parties en mouvement fonctionnent correctement et qu'elles ne sont pas coincées, et vérifier si des éléments sont cassés ou endommagés au point d'affecter le bon fonctionnement de l'outil électroportatif. Faire réparer les éléments endommagés avant d'utiliser l'appareil. De nombreux accidents sont dus au mauvais entretien des outils électroportatifs.
- ▶ L'outil électroportatif, les accessoires, les outils amovibles, etc. doivent être utilisés conformément à ces instructions. Tenir également compte des conditions de travail et du travail à réaliser. L'utilisation des outils électroportatifs à d'autres fins que celles prévues peut entraîner des situations dangereuses.
- ▶ Utiliser l'outil électroportatif approprié. Ne pas utiliser l'outil électroportatif à des fins non prévues mais uniquement conformément à l'usage prévu et dans un état parfait.
- ▶ Utiliser uniquement l'aspirateur avec le filtre est monté.
- ▶ Éviter tout démarrage intempestif de l'appareil. Arrêter l'appareil avant d'introduire l'accu, de l'enlever ou de le transporter. Ne pas porter l'appareil avec le doigt sur l'interrupteur Marche/Arrêt. Lorsque l'appareil n'est pas utilisé pendant une pause, avant un entretien, lors du remplacement d'outils ou du transport, l'accu doit être retiré de l'appareil.
- ▶ Ne pas utiliser l'aspirateur comme siège ou marchepied.
- ▶ Lors de la mise en place de la tête aspirante, veiller à ne pas se coincer.

### Service après-vente

- ▶ L'outil électroportatif doit être réparé uniquement par un personnel qualifié, utilisant exclusivement des pièces de rechange d'origine. Ceci permet d'assurer la sûreté de l'outil électroportatif.

## 2.3 Matériau aspiré

- ▶ **Il est interdit d'aspirer des poussières nocives dont la classe de poussières est supérieure à la classe de poussières de l'aspirateur. Il est interdit d'aspirer des poussières inflammables et/ou explosives (poussières de magnésium et d'aluminium, etc.). Les matériaux plus chauds que 60 °C (140 °F) ne doivent pas être aspirés (p. ex. cigarettes mal éteintes, cendres chaudes).**
- ▶ Avant de commencer le travail, toujours vérifier la classe de risque de la poussière nocive susceptible d'être générée lors des travaux. Les matériaux nocifs pour la santé tels que l'amiante et le plomb ne font expressément pas partie de l'utilisation conforme du produit et ne doivent pas être traités → Page 20. Si vous traitez tout de même des matériaux contenant du plomb ou de l'amiante, la garantie du fabricant pour votre produit est annulée.
- ▶ La poussière générée par le meulage, le ponçage, le tronçonnage et le forage peut contenir des produits chimiques dangereux. Par exemple : plomb ou peinture à base de plomb ; brique, béton et autres produits de maçonnerie, pierre naturelle et autres produits contenant du quartz ; certains bois, tels que le chêne, le hêtre et le bois traité chimiquement ; amiante ou matériaux contenant de l'amiante. Déterminer l'exposition de l'opérateur et personnes se trouvant dans l'entourage en fonction de la classe de danger des matériaux traités. Prendre les mesures nécessaires pour maintenir l'exposition à un niveau sûr, par exemple en utilisant un système de collecte des poussières ou en portant une protection respiratoire appropriée. Mesures générales visant à réduire l'exposition :
  - ▶ Travailler dans un endroit bien ventilé
  - ▶ Éviter le contact prolongé avec la poussière
  - ▶ Faire en sorte que la poussière soit dirigée loin du visage et du corps
  - ▶ Porter des vêtements de protection et laver les zones exposées à l'eau et au savon



- ▶ Il est interdit d'aspirer des liquides inflammables, explosifs, agressifs (agents réfrigérants et lubrifiants, essence, solvants, acides (pH < 5), lessives alcalines (pH > 12,5), etc.).
- ▶ Arrêter immédiatement l'aspirateur si de la mousse ou des liquides en sortent.
- ▶ Porter des gants de protection pour aspirer des matériaux chauds jusqu'à une température max. de 60 °C (140 °F).
- ▶ Lors de travaux avec boues de forage minérales, porter des vêtements de protection et éviter tout contact avec la peau (pH > 9 corrosif).
- ▶ Éviter tout contact avec des liquides basiques ou acides. En cas de contact par mégarde, rincer soigneusement avec de l'eau. Si le liquide rentre dans les yeux, les rincer abondamment à l'eau et consulter en plus un médecin.

## 2.4 Utilisation et emploi soigneux des batteries

- ▶ **Respecter les consignes de sécurité suivantes relatives à la manipulation et à l'utilisation des accus Li-Ion.** Le non-respect de telles mesures risque de provoquer des irritations cutanées, des blessures graves corrosives, des brûlures chimiques, des incendies et/ou des explosions.
- ▶ Utiliser les accus uniquement dans un état techniquement impeccable.
- ▶ Traiter les accus avec soin pour éviter les endommagement et les fuites de liquides très nocifs pour la santé !
- ▶ Les accus ne doivent en aucun cas être modifiés ou manipulés !
- ▶ Les accus ne doivent pas être démontés, écrasés, chauffés à une température supérieure à 80 °C (176 °F) ou jetés au feu.
- ▶ Ne pas utiliser ni recharger d'accus ayant subi un choc ou ayant été endommagés de quel-qu'autre manière. Vérifier régulièrement l'absence de traces d'endommagement sur les accus.
- ▶ Ne jamais utiliser d'accus recyclés ou réparés.
- ▶ Ne jamais utiliser l'accu ni aucun outil électrique sans fil comme outil de percussion.
- ▶ Ne jamais exposer les accus à un rayonnement direct du soleil, des températures élevées, des étincelles ou des flammes nues. Il y a alors risque d'explosions.
- ▶ Ne jamais toucher les pôles avec les doigts, des outils, des bijoux ou tout autre objet métallique. Cela peut endommager l'accu et entraîner des dommages matériels et des blessures.
- ▶ Maintenir les accus à l'abri de la pluie, de l'humidité et des liquides. Toute pénétration d'humidité risque de provoquer un court-circuit, des chocs électriques, des brûlures, des incendies ou des explosions.
- ▶ Utiliser exclusivement les chargeurs et outils électriques prévus pour le type d'accu considéré. Respecter à ce sujet les indications du mode d'emploi correspondant.
- ▶ Ne pas utiliser ni stocker l'accu dans des environnements présentant des risques d'explosion.
- ▶ Si l'accu est trop chaud pour être touché, il est probablement défectueux. Placer l'accu dans un endroit bien visible, non inflammable et suffisamment éloigné de matériaux inflammables. Laisser l'accu refroidir. Si, après une heure, l'accu est toujours trop chaud pour être saisi, c'est qu'il est défectueux. Contacter le service après-vente **Hilti** ou consulter le document « Instructions de sécurité et d'utilisation pour les accus Li-Ion **Hilti** ».



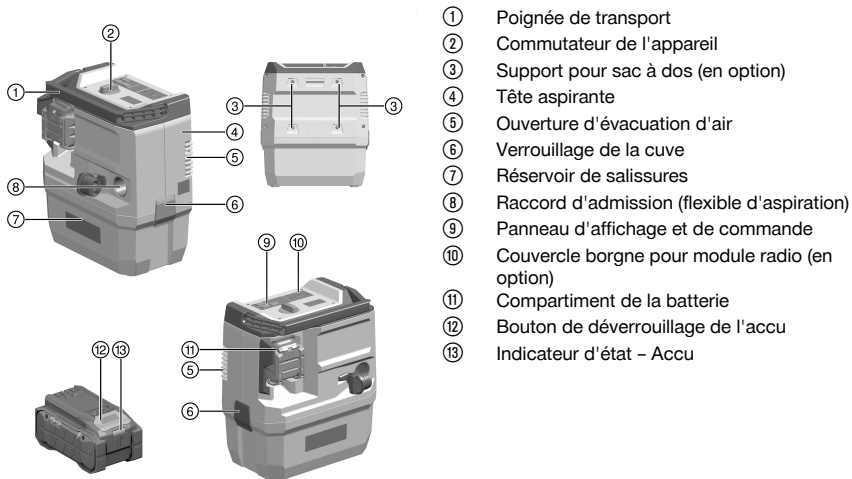
Respecter les directives spécifiques pour le transport, le stockage et l'utilisation d'accus Li-Ion.  
→ Page 29

Lire les remarques relatives à la sécurité et à l'utilisation des accus Li-Ion **Hilti** que vous trouverez en scannant le code QR à la fin de ce mode d'emploi.



### 3 Description

#### 3.1 Vue d'ensemble du produit



- ① Poignée de transport
- ② Commutateur de l'appareil
- ③ Support pour sac à dos (en option)
- ④ Tête aspirante
- ⑤ Ouverture d'évacuation d'air
- ⑥ Verrouillage de la cuve
- ⑦ Réservoir de salissures
- ⑧ Raccord d'admission (flexible d'aspiration)
- ⑨ Panneau d'affichage et de commande
- ⑩ Couverture borgne pour module radio (en option)
- ⑪ Compartiment de la batterie
- ⑫ Bouton de déverrouillage de l'accu
- ⑬ Indicateur d'état - Accu

#### 3.2 Utilisation conforme à l'usage prévu

Le produit décrit est un aspirateur sur accu destiné à une utilisation commerciale, par ex. sur les chantiers, dans les hôtels, les écoles, les hôpitaux, les usines, les magasins, les bureaux et les agences de location. Il convient pour les applications dans un environnement sec et humide.

Il est interdit d'utiliser ce produit pour aspirer sur des êtres humains ou des animaux. Toute utilisation en immersion est interdite.

Ce produit est homologué pour l'application SafeSet de Hilti.

Les produits décrits sont conformes à la directive OSHA 1926.1153, Table 1.

- ▶ Avant la mise en service du produit, s'informer sur son maniement, les dangers engendrés par les matériaux et l'élimination en toute sécurité des matériaux aspirés.
- ▶ Ne pas utiliser le produit dans des installations à fonctionnement continu, automatique ou semi-automatique.
- ▶ Utiliser uniquement des accessoires et outils **Hilti** d'origine, pour éviter tout risque de blessure.
- ▶ Pour éviter tout effet électrostatique, utiliser un flexible d'aspiration antistatique.
- ▶ N'aspirer aucun objet susceptible de provoquer des blessures à travers le sac à poussières (tel qu'un matériau pointu ou tranchant).
- ▶ Ne pas utiliser le produit comme escabeau.
- ▶ Respecter la réglementation locale en vigueur en matière de prévention des accidents.

Ce produit est destiné à un usage professionnel pour les applications suivantes :

- Aspiration de petites quantités de poussières avec meules diamantées, tronçonneuses, perforateurs-burineurs et des couronnes pour forage à sec **Hilti**.
- Aspiration d'huiles et de fluides jusqu'à une température < 60 °C (140 °F).
- Nettoyage à sec et par voie humide de surfaces murales et au sol

Pour le dépoussiérage, il est indispensable de prévoir un taux de renouvellement d'air L suffisant dans le local si l'évacuation d'air se fait dans le local. Observer les dispositions nationales.

- Pour ce produit, utiliser exclusivement des accus Li-Ion **Hilti** Nuron de la série B 22. Pour une puissance optimale, **Hilti** recommande pour ce produit les accus indiqués dans le tableau à la fin de ce mode d'emploi.
- Pour ces accus, utiliser exclusivement des chargeurs **Hilti** des séries indiquées dans le tableau à la fin de ce mode d'emploi.





### 3.3 Mauvaise utilisation possible

- L'aspirateur ne doit pas être utilisé en position couchée.
- L'aspirateur ne doit pas être utilisé pour aspirer des substances explosives, incandescentes, brûlantes ou inflammables, ni poussières agressives (p. ex. poussières de magnésium ou d'aluminium, etc.) (exception : copeaux de bois).
- L'aspirateur ne doit pas être utilisé pour aspirer des liquides inflammables (p. ex. essence, solvants, acides, agents réfrigérants et lubrifiants, etc.).
- Ne pas aspirer des matériaux susceptibles de nuire à la santé (par ex. amiante).

### 3.4 Consignes d'utilisation

#### Accessoires et types d'utilisation

Référence	Accessoires	Type d'application
2305010	Filtre universel VC 10-22/140-2-22	applications minérales, humides et sèches
2305014	Sac à poussières non-tissé <b>VC 10-22/140-2-22 (10)</b>	applications minérales, humides et sèches
2305017	Sac à poussières en plastique VC 10-22/140-2-22 (10)	applications minérales, humides et sèches
2305011	Filtre <b>HEPA/H VC 10-22/140-2-22</b>	Filtre spécial pour les poussières particulièrement nocives.

### 3.5 Application Hilti SafeSet

L'application **Hilti SafeSet** est une méthode permettant de poser des ancrages chimiques de manière optimale. Tous les composants **SafeSet** sont parfaitement adaptés les uns aux autres et sont contrôlés et homologués en tant que système global conformément aux prescriptions internationales relatives aux homologations.



Pour de plus amples informations, visiter le site [www.hilti.group](http://www.hilti.group) ou contacter un spécialiste en ancrages chimiques **Hilti**.

Avant d'utiliser le produit avec l'application **Hilti SafeSet**, tenir compte des remarques et précautions suivantes :

- ▶ Utiliser le produit uniquement dans un état impeccable. S'assurer que le joint entre la cuve de récupération de saletés et la tête aspirante n'est pas endommagé et qu'il est bien étanche.
- ▶ Contrôler l'état du filtre. Si le filtre est usé ou colmaté, remplacer le filtre. → Page 28
- ▶ Vider la cuve avant de commencer à travailler avec le produit.
- ▶ S'assurer que le flexible n'est pas entièrement enroulé ni plié.
- ▶ S'assurer que le flexible d'aspiration est intact et étanche.
- ▶ Utiliser uniquement le flexible d'aspiration d'origine. Ne pas utiliser de rallonges ni adaptateurs en Y pour le flexible d'aspiration.
- ▶ En cas d'utilisation d'un sac à poussières non-tissé, toujours insérer un nouveau sac à poussières non-tissé avant une application **SafeSet**.
- ▶ Toujours utiliser le mode de fonctionnement avec la puissance d'aspiration maximale. Le mode de fonctionnement **ECO** n'est pas autorisé pour les applications **SafeSet**.

### 3.6 Éléments livrés

Aspirateur de déchets secs et liquides avec cartouche filtrante, tuyau d'aspiration complet avec manchon tournant (côté aspirateur) et manchon à outil, mode d'emploi.



D'autres produits système pour votre produit peuvent être trouvés dans votre **Hilti Store** ou à l'adresse : [www.hilti.group](http://www.hilti.group)



### 3.7 Bluetooth

Ce produit est équipé de Bluetooth (en option).

Bluetooth est une transmission de données sans fil permettant à deux produits compatibles Bluetooth de communiquer entre eux sur une courte distance.

### 3.8 Affichages de l'accu Li-Ion

Les accus Li-Ion Hilti Nuron peuvent afficher l'état de charge, les messages d'erreur et l'état de l'accu.

#### 3.8.1 Affichages de l'état de charge et des messages d'erreur

##### AVERTISSEMENT

##### Risque de blessures en cas de chute de l'accu !

- ▶ Lorsque l'accu est inséré et après avoir appuyé sur la touche de déverrouillage, s'assurer que l'accu est correctement réenclenché dans le produit utilisé.

Pour consulter un des affichages suivants, appuyer brièvement sur la touche de déverrouillage de l'accu.

L'état de charge et les dysfonctionnements possibles sont affichés en permanence tant que le produit raccordé est allumé.

État	Signification
Quatre (4) DEL sont allumées en vert en continu	État de charge : de 100 % à 71 %
Trois (3) DEL sont allumées en vert en continu	État de charge : de 70 % à 51 %
Deux (2) DEL sont allumées en vert en continu	État de charge : de 50 % à 26 %
Une (1) DEL est allumée en vert en continu	État de charge : de 25 % à 10 %
Une (1) DEL clignote lentement en vert	État de charge : < 10 %
Une (1) DEL clignote rapidement en vert	L'accu Li-Ion est entièrement déchargé. Charger l'accu. Si la DEL continue de clignoter rapidement après la charge de l'accu, s'adresser au S.A.V. Hilti.
Une (1) DEL clignote rapidement en jaune	L'accu Li-Ion ou le produit correspondant est surchargé, trop chaud, trop froid ou il y a un autre défaut. Amener le produit et l'accu à la température de travail recommandée et ne pas surcharger le produit pendant son utilisation. Si le message ne disparaît pas, s'adresser au S.A.V. Hilti.
Une (1) DEL est allumée en jaune	L'accu Li-Ion ainsi que le produit connecté ne sont pas compatibles. Merci de s'adresser au S.A.V. Hilti.
Une (1) DEL clignote rapidement en rouge	L'accu Li-Ion est verrouillé et ne peut plus être utilisé. Merci de s'adresser au S.A.V. Hilti.

#### 3.8.2 Affichages de l'état de l'accu

Pour consulter l'état de l'accu, maintenir la touche de déverrouillage enfoncée pendant plus de trois secondes. Le système ne détecte aucun dysfonctionnement potentiel de la batterie dû à une utilisation incorrecte, par ex. chute, piqûres, dommages externes dus à la chaleur, etc.

État	Signification
Toutes les DEL forment un chenillard, puis une (1) DEL est allumée en vert en continu.	L'accu peut continuer à être utilisé.
Toutes les DEL forment un chenillard, puis une (1) DEL clignote rapidement en jaune.	L'interrogation de l'état de l'accu n'a pas pu être terminée. Répéter la procédure ou s'adresser au S.A.V. Hilti.



État	Signification
Toutes les DEL forment un chenillard, puis une (1) DEL est allumée en rouge en continu.	Si un produit raccordé peut continuer à être utilisé, la capacité résiduelle de l'accu est inférieure à 50 %. Si un produit raccordé ne peut plus être utilisé, l'accu est arrivé à la fin de sa durée de vie et doit être remplacé. Merci de s'adresser au S.A.V Hilti.

### 3.9 Affichages et signaux d'avertissement

L'aspirateur est doté de différents systèmes de surveillance qui émettent des signaux d'avertissement optiques (affichage à LED) ou des signaux d'avertissement acoustiques (tonalité d'avertissement) :

#### Surveillance de niveau de remplissage

LED allumée : le déclenchement de sécurité en mode humide est actif.

- ▶ Vider la cuve et nettoyer les sondes.

#### Signal d'avertissement de vitesse de l'air

LED allumée : la vitesse de l'air dans le flexible d'aspiration a chuté en dessous de 20 m/s.

- ▶ Tenir compte des remarques du chapitre **Aide au dépannage**.



Pour que le signal d'avertissement se déclenche correctement, le diamètre du flexible d'aspiration doit être adapté au flexible d'aspiration utilisé.

### 3.10 Nettoyage du filtre

#### AVERTISSEMENT

**Endommagement des voies respiratoires dû à la poussière !** Les applications système (surtout en cas de meulage, de tronçonnage et de rainurage) ou l'aspiration SafeSet peuvent entraîner des charges de poussières considérables.

- ▶ Utiliser le produit pour les applications système et l'application SafeSet uniquement avec le nettoyage automatique du filtre activé.



Le nettoyage de filtre fonctionne uniquement si le flexible d'aspiration est raccordé.

L'aspirateur dispose d'une fonction de nettoyage de filtre manuelle et automatique qui permet d'éliminer le maximum de poussière adhérente à la cartouche filtrante.

Appuyer sur la touche « Nettoyage de filtre automatique » pour désactiver le nettoyage automatique du filtre et réappuyer pour le réactiver.

État	Signification
LED allumée.	Le nettoyage de filtre est activé.
LED non allumée.	Le nettoyage de filtre est désactivé.

Au démarrage de l'aspirateur, le nettoyage de filtre est automatiquement activé.

La cartouche filtrante est automatiquement nettoyée par un souffle d'air (bruit pulsatif).



Pour obtenir une puissance d'aspiration durablement élevée, le nettoyage du filtre doit être activé pour les applications système (surtout en cas de meulage, de tronçonnage et de rainurage) ou lors de l'aspiration de grandes quantités de poussières.

Indépendamment du nettoyage automatique du filtre, le filtre peut à tout moment être nettoyé en appuyant sur la touche « Nettoyage de filtre manuel ».



Nettoyage en profondeur : pour obtenir la puissance maximale lors du nettoyage du filtre, obturer le flexible en appuyant simultanément sur la touche « Nettoyage de filtre manuel ».



## 4 Caractéristiques techniques

### 4.1 Propriétés du produit

	<b>VC 140-2-22</b>
<b>Poids</b>	13 lb (6 kg)
<b>Dimensions (L × l × H)</b>	8,5 in × 13,8 in × 15,7 in (215 mm × 350 mm × 400 mm)
<b>Débit volumique max. (données de turbine)</b>	142 CFM (67 ℓ/s)
<b>Dépression max.</b>	2 psi (17 kPa)
<b>Volume de cuve</b>	2 liq. gal <sub>US</sub> (8 ℓ)
<b>Volume de poussières utile</b>	15 lb (7 kg)
<b>Volume d'eau utile</b>	1 liq. gal <sub>US</sub> (5 ℓ)
<b>Température de l'air</b>	14 °F ... 104 °F (-10 °C ... 40 °C)
<b>Nettoyage de filtre automatique</b>	programmé
<b>Puissance absorbée</b>	1,01 hp (750 W)
<b>Classe de protection</b>	I
<b>Classe de protection</b>	IP X4

### 4.2 Batterie

<b>Tension nominale de l'accu</b>	21,6 V
<b>Poids de l'accu</b>	Voir à la fin de ce mode d'emploi
<b>Température de service en cours de service</b>	1 °F ... 140 °F (-17 °C ... 60 °C)
<b>Température de stockage</b>	-4 °F ... 104 °F (-20 °C ... 40 °C)
<b>Température de l'accu au début de la charge</b>	14 °F ... 113 °F (-10 °C ... 45 °C)

## 5 Préparatifs

### AVERTISSEMENT

#### Risque de blessures du fait d'une mise en marche inopinée !

- ▶ Avant d'insérer l'accu, s'assurer que le produit correspondant est bien sur arrêt.
- ▶ Retirer le bloc-accu, avant d'effectuer des réglages sur l'appareil ou de changer les accessoires.

Bien respecter les consignes de sécurité et les avertissements de la présente documentation ainsi que celles figurant sur le produit.

### 5.1 Recharge de l'accu

1. Avant de commencer la charge, lire le mode d'emploi du chargeur.
2. Veiller à ce que les contacts de l'accu et du chargeur sont propres et secs.
3. Charger l'accu à l'aide d'un chargeur homologué. → Page 20



## 5.2 Introduction de l'accu

### AVERTISSEMENT

#### Risque de blessures du fait d'un court-circuit ou de la chute de l'accu !

- ▶ Avant d'insérer l'accu dans l'appareil, s'assurer que les contacts de l'accu et les contacts sur le produit sont exempts de corps étrangers.
- ▶ S'assurer que l'accu s'encliquette toujours correctement.

1. L'accu doit être entièrement chargé avant la première mise en service.
2. Introduire l'accu dans le produit jusqu'à ce qu'il s'enclenche de manière audible.
3. Vérifier que l'accu est bien en place.

## 5.3 Retrait de l'accu

1. Appuyer sur la touche de déverrouillage de l'accu.
2. Retirer l'accu hors du produit.

## 5.4 Remplacer le sac à poussières

1. Régler le commutateur de l'appareil sur la position **OFF** (arrêt).
2. Ouvrir les 2 brides de fermeture.
3. Soulever la tête aspirante de la cuve de récupération de saletés.
4. Retirer le sac à poussières.
  - ▶ Éliminer le sac à poussières conformément aux prescriptions en vigueur.
5. Fixer le support de fixation avec le sac à poussières sur les nervures du collecteur de déchets.
6. Mettre la tête aspirante en place sur la cuve de récupération de saletés et fermer les 2 brides de fermeture.

## 5.5 Montage/démontage du flexible d'aspiration

1. Pour le montage, pousser le flexible d'aspiration dans le raccord d'admission.
2. Pour le démontage, retirer le flexible d'aspiration du raccord d'admission en effectuant des mouvements de rotation.

## 6 Utilisation

### DANGER

**Risque de blessures.** Dans le cas d'aspirateurs de classes L, M et H, l'aspirateur contient des poussières nocives.

- ▶ Les travaux de vidage et d'entretien, y compris l'élimination du récipient collecteur de poussières, doivent uniquement être effectués par des professionnels compétents. Portez des équipements de protection appropriés.
- ▶ Avant de retirer l'aspirateur d'une zone polluée par des matières dangereuses, aspirer l'extérieur de l'aspirateur, l'essuyer jusqu'à ce qu'il soit propre ou l'emballer de façon étanche. Étant donné que toutes les parties de la machine doivent être considérées comme contaminées, à leur sortie de la zone dangereuse, prendre les mesures qui s'imposent pour éviter toute dispersion des poussières.
- ▶ Ne jamais utiliser l'aspirateur si le système de filtration n'est pas complet.

### AVERTISSEMENT

**Risque de blessures.** Un système de filtration endommagé peut générer des poussières nocives pour la santé.

- ▶ En cas d'urgence (par ex. rupture du filtre), arrêter l'appareil, le débrancher du secteur et le faire contrôler par un personnel qualifié avant toute réutilisation.

### ATTENTION

**Risque de blessures du fait de mouvements incontrôlés !** Si les freins de roue sont desserrés, il y a risque que l'aspirateur se mette en mouvement de manière incontrôlée.

- ▶ Pour assurer une bonne stabilité de l'aspirateur, utiliser les freins de roue.



## 6.1 Mettre l'aspirateur en marche ou l'arrêter

**i** La durée de fonctionnement sur accu peut être prolongée en activant le mode avec puissance d'aspiration réduite.

→ Pour activer ou désactiver, actionner la touche **ECO**.

L'aspirateur peut être commandé via un module Bluetooth et la commande à distance correspondante (accessoires en option).


→ Régler le commutateur de l'appareil sur la position **BLUETOOTH**.

Lire et respecter les instructions de sécurité et d'utilisation données dans le manuel d'utilisation de l'accessoire.

1. Pour la mise en marche, tourner le commutateur de l'appareil sur la position **ON** (marche).
2. Pour l'arrêt, régler le commutateur de l'appareil sur la position **OFF** (arrêt).

## 6.2 Nettoyage du filtre

Le nettoyage du filtre est uniquement possible lorsque l'aspirateur est en marche.

1. Obturer l'extrémité du flexible.
  - ▶ Ceci maximise la puissance de nettoyage.
2. Attendre que la dépression soit maximale.
3. Appuyer sur la touche de commande .

## 6.3 Aspiration de poussières sèches

**i** Avant d'aspirer des poussières sèches et en particulier des poussières minérales, toujours vérifier que le sac à poussières approprié a bien été mis dans la cuve. Ainsi, les matières aspirées peuvent être éliminées simplement et proprement.

### ATTENTION

**Risque de blessures par des poussières nocives !** Si aucune cartouche filtrante n'est utilisée, il y a un risque que le matériau aspiré sorte.

- ▶ N'utiliser l'aspirateur qu'avec cartouche filtrante en place.
- ▶ S'assurer que la cartouche filtrante est bien sèche et que le sac à poussières adéquat est en place.

## 6.4 Aspiration de liquides

### ATTENTION

**Risque de blessures par des poussières nocives !** Si aucune cartouche filtrante n'est utilisée, il y a un risque que le matériau aspiré sorte.

- ▶ N'utiliser l'aspirateur qu'avec cartouche filtrante en place.

**i** Lors de l'aspiration de boues de forage ou de particules solides, la cartouche filtrante peut être obturée ou endommagée. Lors de l'aspiration, observer les modifications éventuelles de la puissance d'aspiration.

1. Contrôler le dispositif de surveillance de niveau. → Page 28
2. Dans la mesure du possible, utiliser une autre cartouche filtrante pour aspirer les déchets humides.

## 6.5 Après l'aspiration de liquides

1. Ouvrir les 2 brides de fermeture.
2. Soulever la tête aspirante de la cuve de récupération de saletés et poser la tête aspirante sur un support plan.
  - ▶ Laisser la cartouche filtrante sécher.
3. Vider la cuve de récupération de saletés et la nettoyer à l'aide d'un flexible à eau.
4. Contrôler le dispositif de surveillance de niveau. → Page 28
5. Nettoyer la cartouche filtrante sèche en l'essuyant à la main.



6. Vérifier que la cartouche filtrante n'est pas endommagée.
  - ▶ Remplacer la cartouche filtrante endommagée.

## 6.6 Après le travail

1. Tourner le commutateur de l'appareil sur la position **OFF** (arrêt).
2. Vider la cuve et nettoyer l'aspirateur avec un chiffon humide.
3. Déposer l'aspirateur dans un local sec de manière à empêcher toute utilisation non autorisée.
  - ▶ **ATTENTION** Ranger cet aspirateur seulement dans des locaux fermés.

## 7 Nettoyage et entretien

### **AVERTISSEMENT**

#### Risque de blessures lorsque l'accu est inséré !

- ▶ Toujours retirer l'accu avant tous travaux de nettoyage et d'entretien !

#### Entretien du produit

- Éliminer avec précaution les saletés récalcitrantes.
- Le cas échéant, nettoyer soigneusement les ouïes d'aération à l'aide d'une brosse sèche et douce.
- Nettoyer le carter de l'appareil uniquement avec un chiffon légèrement humide. Ne pas utiliser de nettoyeurs à base de silicone car ceci pourrait attaquer les pièces en plastique.
- Utiliser un chiffon propre et sec pour nettoyer les contacts du produit.

#### Entretien des accus Li-ion

- Ne jamais utiliser un accu dont les ouïes d'aération sont bouchées. Nettoyer soigneusement les ouïes d'aération à l'aide d'une brosse sèche et douce.
- Éviter d'exposer inutilement l'accu à la poussière ou à la saleté. Ne jamais exposer l'accu à une forte humidité (par exemple en l'immergeant dans de l'eau ou en le laissant sous la pluie).  
Si l'accu a été trempé, le traiter comme un accu endommagé. L'isoler dans un récipient ininflammable et s'adresser au S.A.V. **Hilti**.
- Veiller à ce que l'accu soit toujours exempt de traces de graisse et d'huile étrangères. Ne pas laisser de la poussière ou de la saleté s'accumuler inutilement sur l'accu. Nettoyer l'accu avec une brosse sèche et douce ou un chiffon propre et sec. Ne pas utiliser de nettoyeurs à base de silicone car ceci pourrait attaquer les pièces en plastique.  
Ne pas toucher les contacts de l'accu et ne pas enlever la graisse appliquée en usine sur les contacts.
- Nettoyer le carter de l'appareil uniquement avec un chiffon légèrement humide. Ne pas utiliser de nettoyeurs à base de silicone car ceci pourrait attaquer les pièces en plastique.

#### Entretien

- Vérifier régulièrement qu'aucune pièce visible n'est endommagée et que les organes de commande sont parfaitement opérationnels.
- Ne pas utiliser le produit en cas d'endommagements et/ou de dysfonctionnements. Faire immédiatement réparer le produit par le S.A.V. **Hilti**.
- Après des travaux de nettoyage et d'entretien, vérifier si tous les équipements de protection sont bien en place et fonctionnent parfaitement.



Pour une utilisation en toute sécurité, utiliser uniquement des pièces de rechange et consommables d'origine. Vous trouverez les pièces de rechange, consommables et accessoires autorisés par **Hilti** convenant pour votre produit dans le centre **Hilti Store** ou sous : [www.hilti.group](http://www.hilti.group)

### 7.1 Instructions d'entretien pour l'aspirateur

#### **AVERTISSEMENT**

**Danger d'électrocution !** Des réparations inappropriées de composants électriques peuvent entraîner de graves blessures corporelles par électrocution.

- ▶ Les réparations des composants électriques doivent exclusivement être effectuées par un électricien qualifié.
- ▶ Tenir l'aspirateur, en particulier les surfaces de préhension, sec, propre et exempt d'huile et de graisse. Ne pas utiliser de nettoyeurs à base de silicone.



- ▶ Ne jamais faire fonctionner l'aspirateur si ses ouïes d'aération sont bouchées ! Nettoyer soigneusement les ouïes d'aération à l'aide d'une brosse sèche. Empêcher toute pénétration de corps étrangers à l'intérieur de l'ouverture de la turbine.
- ▶ Nettoyer régulièrement l'extérieur de l'aspirateur avec un chiffon légèrement humide. Pour nettoyer, ne pas utiliser d'appareil diffuseur, d'appareil à jet de vapeur ou d'eau courante, car cela pourrait nuire à la sécurité électrique de l'aspirateur.
- ▶ Veiller à bien nettoyer le bord supérieur de la cuve et sa rainure car celles-ci sont d'une importance capitale pour assurer l'étanchéité entre la cuve de récupération de saletés et la tête aspirante.

## 7.2 Nettoyage de filtre



La cartouche filtrante est une pièce d'usure.

Ne pas nettoyer la cartouche filtrante en la frappant contre des surfaces dures. Éviter les nettoyeurs à air comprimé ou les objets pointus qui peuvent endommager le matériau filtrant. Cela augmente la durée de vie de la cartouche filtrante.

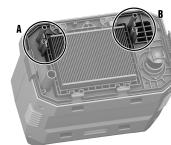
- ▶ Remplacer la cartouche filtrante au moins deux fois par an.
- ▶ Remplacer toutefois la cartouche filtrante plus fréquemment en cas d'utilisation intensive.

## 7.3 Remplacement du filtre

1. Régler le commutateur de l'appareil sur la position **OFF** (arrêt).
2. Ouvrir les 2 brides de fermeture.
3. Soulever la tête aspirante de la cuve de récupération de saletés et poser la tête aspirante sur la face arrière.
4. Tournez les fixations du filtre de 180°.
5. Enlever le cadre du filtre avec le filtre.
  - ▶ Veiller à ce qu'aucune saleté ne tombe dans l'ouverture de la turbine!
6. Enlever la poussière du joint d'étanchéité et du logement du cadre du filtre.
7. Placer le cadre sur un filtre neuf.
8. Placer le cadre du filtre avec le filtre dans la fixation du cadre.
9. Verrouiller le cadre au moyen des fixations du filtre.
10. Mettre la tête aspirante en place sur la cuve de récupération de saletés et fermer les deux brides de fermeture.
11. Le cas échéant, éliminer la poussière qui est tombée de la cartouche filtrante ou de l'aspirateur.

## 7.4 Contrôle du dispositif de surveillance de niveau

1. Régler le commutateur de l'appareil sur la position **OFF** (arrêt).
2. Ouvrir les 2 brides de fermeture.
3. Soulever la tête aspirante de la cuve de récupération de saletés et poser la tête aspirante sur la face arrière.
  - ▶ Laisser la cartouche filtrante sécher.
4. S'assurer que les contacts de coupure (sondes filaire) **(A)** et **(B)** ne sont pas encrassés et, le cas échéant, les nettoyer avec une brosse.
5. Vérifier que le joint d'étanchéité sur la tête aspirante n'est pas encrassé et le nettoyer le cas échéant avec un chiffon.
6. Mettre la tête aspirante en place sur la cuve de récupération de saletés.
7. Fermer les deux brides de fermeture.
8. S'assurer que la tête aspirante est correctement montée et verrouillée.





## 8 Transport et stockage des outils sur accu et des accus

### Transport

#### ATTENTION

#### Mise en marche inopinée lors du transport !

- ▶ Toujours retirer les accus avant de transporter les produits !
- ▶ Retirer le ou les accus.
- ▶ Ne jamais transporter les accus en vrac. Pendant le transport, les accus doivent être protégés des vibrations et chocs excessifs, isolés de tout matériau conducteur ou autre accu, pour éviter qu'ils n'entrent en contact avec d'autres pôles de batterie et qu'ils provoquent un court-circuit. **Tenir compte des prescriptions locales pour le transport d'accus.**
- ▶ Ne pas envoyer les accus par la poste. S'adresser à un service d'expédition s'il faut envoyer des accus non endommagés.
- ▶ Contrôler l'état du produit et des accus avant chaque utilisation, ainsi qu'avant et après tout transport prolongé.

### Stockage

#### AVERTISSEMENT

#### Endommagement involontaire du fait d'accus défectueux ou de chute d'accu !

- ▶ Toujours retirer les accus avant de stocker les produits !
- ▶ Stocker si possible le produit et les accus dans un endroit sec et frais. Respecter les valeurs limites de température indiquées dans les caractéristiques techniques.
- ▶ Ne pas stocker les accus sur le chargeur. Retirer toujours l'accu du chargeur après la charge.
- ▶ Ne jamais stocker les accus exposés au soleil, sur des sources de chaleur ou derrière des vitres.
- ▶ Stocker le produit et les accus à l'abri des enfants et des personnes non autorisées.
- ▶ Contrôler l'état du produit et des accus avant chaque utilisation, ainsi qu'avant et après tout stockage prolongé.

### 8.1 Transport

L'aspirateur ne doit pas être suspendu à une grue.

- ▶ Retirer les outils non fixés du support.
- ▶ Vider l'aspirateur avant de le transporter vers un autre endroit.
- ▶ Ne pas basculer l'aspirateur et le transporter debout uniquement lorsque des liquides ont été aspirés.
- ▶ Pour le transport, raccorder les deux extrémités de flexible ensemble à l'aide de l'adaptateur conique.

## 9 Aide au dépannage

En cas de dysfonctionnements, tenir compte de l'indicateur d'état de l'accu. Voir le chapitre **Affichages de l'accu Li-Ion**.



En cas de défaillances non énumérées dans ce tableau ou auxquelles il n'est pas possible de remédier sans aide, contacter le S.A.V. **Hilti**.

Défaillance	Causes possibles	Solution
L'accu ne s'encliquette pas avec un « clic » audible.	Ergot d'encliquetage encrassé sur la batterie.	▶ Nettoyer l'ergot d'encliquetage et encliqueter la batterie dans son logement.
Les DEL de l'accu n'indiquent rien	L'accu est défectueux.	▶ S'adresser au S.A.V. <b>Hilti</b> .
Puissance d'aspiration réduite.	Réservoir de salissures plein.	▶ Vider le réservoir de salissures.
	Le flexible d'aspiration ou la buse sont bouchés.	▶ Nettoyer le flexible d'aspiration et la buse.
	Le filtre est bouché	▶ Nettoyer le filtre. → Page 26 ▶ Remplacer le filtre. → Page 28



Défaillance	Causes possibles	Solution
Puissance d'aspiration réduite.	Le filtre est bouché	▶ Vérifier que le filtre est bien en place.
	Le flexible d'aspiration ou la buse sont endommagés.	▶ Remplacer le flexible d'aspiration ou la buse.
	Le flexible d'aspiration n'est pas emboîté.	▶ Monter/enlever le flexible d'aspiration. → Page 25
LED allumée, l'aspirateur se coupe automatiquement.	Réservoir de salissures plein.	▶ Vider le réservoir de salissures.
LED allumée : la vitesse de l'air dans le flexible d'aspiration a chuté en dessous de 20 m/s.	Le sac à poussières est plein.	▶ Remplacer le sac à poussières.
	La cartouche filtrante est très encrassée.	▶ Si le nettoyage de filtre automatique est désactivé, l'activer et laisser l'aspirateur fonctionner pendant 30 secondes.
	Le flexible d'aspiration ou le collecteur de poussières de l'outil électroportatif est bouché.	▶ Nettoyer le flexible d'aspiration et le collecteur de poussières.
La poussière est soufflée hors de l'appareil.	Réglage du diamètre du flexible dans une position erronée.	▶ Régler le diamètre du flexible d'aspiration.
	La cartouche filtrante n'est pas montée correctement.	▶ Remonter la cartouche filtrante. → Page 28
Légers chocs électriques.	La cartouche filtrante est endommagée.	▶ Monter une nouvelle cartouche filtrante. → Page 28
	Charge électrostatique.	▶ Augmenter l'humidité de l'air. ▶ Aspirer en mode <b>ECO</b> .

## 10 Recyclage

### AVERTISSEMENT

**Risque de blessures en cas d'élimination incorrecte !** Émanations possibles de gaz et de liquides nocives pour la santé.

- ▶ Ne pas envoyer ni expédier d'accus endommagés !
- ▶ Recouvrir les raccordements avec un matériau non conducteur pour éviter tout court-circuit.
- ▶ Éliminer les accus en veillant à ce qu'ils soient hors de la portée des enfants.
- ▶ Éliminer l'accu en le déposant auprès du **Hilti Store** local ou s'adresser à l'entreprise de collecte des déchets compétente.

Les produits **Hilti** sont fabriqués pour une grande partie en matériaux recyclables. Le recyclage présuppose un tri adéquat des matériaux. **Hilti** reprend les appareils usagés dans de nombreux pays en vue de leur recyclage. Consulter le service clients **Hilti** ou un conseiller commercial.



- ▶ Ne pas jeter les appareils électriques, électroniques et accus dans les ordures ménagères !

## 11 Garantie constructeur

- ▶ En cas de questions sur les conditions de garantie, veuillez vous adresser à votre partenaire **Hilti** local.



## 12 Déclaration FCC (valable aux États-Unis) / Déclaration IC (valable au Canada)

**i** Cet appareil a subi des tests qui ont montré qu'il était conforme aux limites définies pour un instrument numérique de la classe A, conformément à l'alinéa 15 des règlements FCC. Ces valeurs limites doivent garantir une protection appropriée contre les perturbations électromagnétiques lors du fonctionnement dans des zones à usage professionnel. Des appareils de ce type génèrent, utilisent et peuvent donc émettre des radiations haute fréquence. S'ils ne sont pas installés et utilisés conformément aux instructions, ils peuvent causer des interférences nuisibles dans les réceptions de radiodiffusion. L'utilisation de cet appareil dans des zones résidentielles peut entraîner des perturbations qu'il appartient à l'utilisateur d'atténuer.

Ce dispositif est conforme au paragraphe 15 des dispositions FCC ainsi que des spécifications RSS-210 de l'ISED.

La mise en service est soumise aux deux conditions suivantes :

- Cet appareil ne devrait pas générer de rayonnements nuisibles.
- L'appareil doit absorber toutes sortes de rayonnements, y compris les rayonnements entraînant des opérations indésirables.

**i** Toute modification ou tout changement subi(e) par l'appareil et non expressément approuvé(e) par **Hilti** peut limiter le droit de l'utilisateur à se servir de l'appareil.

## 13 Informations complémentaires

Des informations complémentaires concernant l'utilisation, la technique, l'environnement et le recyclage sont disponibles sous le lien ci-dessous : [qr.hilti.com/manual?id=2232123&id=2253454](http://qr.hilti.com/manual?id=2232123&id=2253454)

Ce lien figure également à la fin du mode d'emploi sous forme de code QR.

# Manual de instrucciones original

## 1 Información sobre la documentación

### 1.1 Acerca de esta documentación

- Lea detenidamente esta documentación antes de la puesta en servicio. Ello es imprescindible para un trabajo seguro y un manejo sin problemas.
- Respete las indicaciones de seguridad y las advertencias presentes en esta documentación y en el producto.
- Conserve este manual de instrucciones siempre junto con el producto y entregue el producto a otras personas siempre acompañado del manual.

### 1.2 Explicación de símbolos

#### 1.2.1 Avisos

Las advertencias de seguridad advierten de peligros derivados del manejo del producto. Se utilizan las siguientes palabras de peligro:

**PELIGRO**

**PELIGRO !**

- ▶ Término utilizado para un peligro inminente que puede ocasionar lesiones graves o incluso la muerte.

**ADVERTENCIA**

**ADVERTENCIA !**

- ▶ Término utilizado para un posible peligro que puede ocasionar lesiones graves o incluso la muerte.

**PRECAUCIÓN**

**PRECAUCIÓN !**

- ▶ Término utilizado para una posible situación peligrosa que puede ocasionar lesiones o daños materiales.



### 1.2.2 Símbolos en el manual de instrucciones

En este manual de instrucciones se utilizan los siguientes símbolos:

	Consulte el manual de instrucciones
	Indicaciones de uso y demás información de interés
	Manejo con materiales reutilizables
	No tire las herramientas eléctricas y las baterías junto con los desperdicios domésticos
	<b>Hilti</b> Batería de Ion-Litio
	<b>Hilti</b> Cargador

### 1.2.3 Símbolos en las figuras

En las figuras se utilizan los siguientes símbolos:

	Estos números hacen referencia a la figura correspondiente incluida al principio de este manual de instrucciones.
	La numeración describe el orden de los pasos de trabajo en la imagen y puede ser diferente de los pasos descritos en el texto.
	En la figura <b>Vista general</b> se utilizan números de posición y los números de la leyenda están explicados en el apartado <b>Vista general del producto</b> .
	Preste especial atención a este símbolo cuando utilice el producto.

## 1.3 Símbolos dependientes del producto

### 1.3.1 Símbolos en el producto

En el producto se pueden utilizar los siguientes símbolos:

	Prohibido transportar con grúa
	La herramienta admite la tecnología NFC, compatible con plataformas iOS y Android.

### 1.3.2 Símbolos adicionales en productos alimentados por batería

En el producto se utilizan los siguientes símbolos:

	Serie utilizada de baterías de Ion-Litio <b>Hilti</b> . Consulte las indicaciones recogidas en el capítulo <b>Uso conforme a las prescripciones</b> .
Li-Ion	Batería de Ion-Litio
	Nunca utilice la batería como herramienta de percusión.
	No deje que la batería se caiga. No utilice baterías que hayan recibido algún golpe ni que estén dañadas de alguna otra forma.

## 1.4 Información del producto

Los productos han sido diseñados para usuarios profesionales y solo personal autorizado y debidamente formado puede utilizarlos y llevar a cabo su mantenimiento y conservación. Este personal debe estar especialmente instruido en lo referente a los riesgos de uso. La utilización del producto y sus dispositivos auxiliares puede conllevar riesgos para el usuario en caso de manejarse de forma inadecuada por personal no cualificado o utilizarse para usos diferentes a los que están destinados.

La denominación del modelo y el número de serie están indicados en la placa de identificación.



- ▶ Escriba el número de serie en la siguiente tabla. Necesitará los datos del producto para realizar consultas a nuestros representantes o al Departamento de Servicio Técnico.

#### Datos del producto

Aspirador a batería	VC 140-2-22
Generación	01
N.º de serie.	

## 2 Seguridad

### 2.1 Indicaciones generales de seguridad para herramientas eléctricas

**⚠ ¡ADVERTENCIA! Lea con atención todas las instrucciones e indicaciones de seguridad.** Si no se tienen en cuenta las instrucciones e indicaciones de seguridad, podrían producirse descargas eléctricas, incendios o lesiones graves.

Conserve todas las instrucciones e indicaciones de seguridad para futuras consultas.

- ▶ No deben utilizar el aspirador personas con discapacidades físicas, sensoriales o intelectuales, o que carezcan de la experiencia o los conocimientos necesarios (incluidos niños).
- ▶ Solo deben utilizar el aspirador personas familiarizadas con él, informadas acerca del uso seguro de la herramienta y que entiendan los riesgos que comporta. El producto no es apto para el uso por parte de niños.
- ▶ Los niños no deben jugar con el producto. La limpieza y el mantenimiento no deben llevarlos a cabo los niños a menos que estén supervisados.
- ▶ No cubra ninguna abertura de la carcasa. No utilice el aspirador con los orificios de la carcasa tapados. Mantenga las aberturas de la carcasa libres de polvo, pelusas, pelo o cualquier otro material que pudiera reducir el caudal de aire.
- ▶ Tenga especial cuidado al trabajar sobre escaleras.
- ▶ Desconecte el producto antes de extraer la batería.
- ▶ Retire la batería antes de efectuar cualquier ajuste en la herramienta, cambiar accesorios o en caso de no utilizar el producto durante un tiempo prolongado. Esta medida preventiva evita el riesgo de arranque accidental del producto.
- ▶ Preste atención a su postura cuando levante o transporte el producto. Evite levantar y cargar cargas pesadas.

### 2.2 Indicaciones de seguridad adicionales del aspirador

#### Seguridad en el puesto de trabajo

- ▶ Mantenga alejados a los niños y otras personas de su puesto de trabajo al emplear la herramienta eléctrica. Una distracción le puede hacer perder el control sobre la herramienta.

#### Seguridad de las personas

- ▶ Permanezca atento, preste atención durante el trabajo y utilice la herramienta eléctrica con prudencia. No utilice una herramienta eléctrica si está cansado, ni tampoco después de haber consumido alcohol, drogas o medicamentos. Un momento de descuido al utilizar la herramienta eléctrica podría producir graves lesiones.
- ▶ Utilice el equipo de seguridad personal adecuado y lleve siempre gafas protectoras. El riesgo de lesiones se reduce considerablemente si, según el tipo y la aplicación de la herramienta eléctrica empleada, se utiliza un equipo de seguridad personal adecuado como una mascarilla antipolvo, calzado de seguridad con suela antideslizante, casco de protección o protección para los oídos.
- ▶ No utilice el aspirador en un entorno con gran densidad de polvo en el ambiente.
- ▶ La utilización inadecuada de la batería puede provocar fugas de líquido. Evite el contacto con este líquido. El líquido de la batería puede irritar la piel o producir quemaduras. En caso de contacto, enjuague el área afectada con abundante agua. En caso de contacto con los ojos, aclárelos con agua abundante y consulte de inmediato a su médico.

#### Uso y manejo de la herramienta eléctrica

- ▶ Guarde las herramientas eléctricas que no utilice fuera del alcance de los niños. No permita utilizar la herramienta a ninguna persona que no esté familiarizada con ella o no haya leído este manual de instrucciones. Las herramientas eléctricas utilizadas por personas inexpertas son peligrosas.
- ▶ Cuide su herramienta eléctrica adecuadamente. Compruebe si las piezas móviles de la herramienta funcionan correctamente y sin atascarse, y si existen piezas rotas o deterioradas que pudieran afectar al funcionamiento de la herramienta eléctrica. Encargue la reparación de las piezas defectuosas antes de



usar la herramienta eléctrica. Muchos accidentes son consecuencia de un mantenimiento inadecuado de la herramienta eléctrica.

- ▶ Utilice la herramienta eléctrica, los accesorios, útiles de inserción, etc., de acuerdo con estas instrucciones. Para ello, tenga en cuenta las condiciones de trabajo y la tarea que se va a realizar. El uso de herramientas eléctricas para trabajos diferentes de aquellos para los que han sido concebidas puede resultar peligroso.
- ▶ Utilice la herramienta eléctrica adecuada. No utilice la herramienta eléctrica para fines no previstos, sino únicamente de forma reglamentaria y en perfecto estado.
- ▶ Utilice el aspirador únicamente con el filtro insertado.
- ▶ Evite que la herramienta se ponga en marcha accidentalmente. Desconecte la herramienta antes de levantarla, transportarla o insertar la batería. No transporte la herramienta con el dedo apoyado en el interruptor de conexión y desconexión. Debe extraer la batería de la herramienta cuando no la vaya utilizar (durante una pausa, antes de realizar un trabajo de mantenimiento, al cambiar de útiles o durante el transporte).
- ▶ No utilice el aspirador como asiento ni peldaño.
- ▶ Al colocar el cabezal de aspiración, asegúrese de no pillarse los dedos.

### Servicio Técnico

- ▶ Solicite que un profesional lleve a cabo la reparación de su herramienta eléctrica y que utilice exclusivamente piezas de repuesto originales. Solamente así se garantiza la seguridad de la herramienta eléctrica.

## 2.3 Sustancias aspiradas

- ▶ **No se debe aspirar el polvo que sea perjudicial para la salud y cuya clasificación sea superior a la clase de polvo del aspirador. No aspire polvo inflamable y/o peligroso para la salud o explosivo (p. ej. polvo de magnesio-aluminio). No está permitido aspirar materiales que estén a más de 60 °C (140 °F) (p. ej., cigarrillos encendidos, cenizas calientes).**
- ▶ Antes de comenzar a trabajar, compruebe siempre la categoría de peligro del polvo perjudicial para la salud que puede generarse al trabajar. Los materiales perjudiciales para la salud, como el amianto o el plomo, están explícitamente **excluidos** del uso debido del producto y su procesamiento no está permitido → página 35. Si, a pesar de todo, se mecanizan materiales que contienen amianto o plomo, se extingue la garantía del fabricante sobre el producto.
- ▶ El polvo que se genera al pulir, lijar, cortar y taladrar puede contener productos químicos peligrosos, como, por ejemplo, plomo o pinturas basadas en plomo; ladrillo, hormigón y otros productos de mampostería, piedra natural y otros productos que contienen cuarzo; determinadas maderas, como el roble o el haya o las maderas tratadas químicamente, o amianto o materiales que contengan asbesto. La exposición del usuario y las personas circundantes debe regularse según la clase de peligro de los materiales con los que se trabaje. Tome las medidas necesarias para mantener la exposición a un nivel seguro, p. ej., mediante el uso de un sistema de recogida de polvo o una mascarilla adecuada. Las medidas genéricas para reducir la exposición son, entre otras:
  - ▶ trabajar en un espacio bien ventilado;
  - ▶ evitar el contacto prolongado con el polvo;
  - ▶ desviar el polvo de la cara y el cuerpo;
  - ▶ usar prendas protectoras y lavar con agua y jabón las zonas expuestas.
- ▶ **No se deben aspirar líquidos inflamables, explosivos o agresivos (refrigerantes, lubricantes, gasolina, disolvente, ácidos [pH < 5], lejías [pH > 12,5], etc.).**
- ▶ **En caso de escape de espuma o líquidos, apague el aspirador inmediatamente.**
- ▶ **Utilice guantes de protección para aspirar materiales muy calientes, de hasta 60 °C (140 °F) como máximo.**
- ▶ **Utilice siempre prendas protectoras al trabajar con lodo mineral de perforación y evite el contacto con la piel (pH > 9, corrosivo).**
- ▶ **Evite el contacto con líquidos básicos o ácidos. En caso de contacto accidental, enjuague el área afectada con abundante agua. En caso de contacto con los ojos, aclárelos con agua abundante y consulte de inmediato a su médico.**

## 2.4 Manipulación y utilización segura de las baterías

- ▶ **Tenga en cuenta las siguientes indicaciones de seguridad para el manejo y el uso seguros de las baterías de Ion-Litio.** En caso de no respetarlas, puede llevar a irritación de la piel, lesiones corrosivas graves, quemaduras químicas, fuego o explosiones.
- ▶ Utilice las baterías solo si están en perfecto estado técnico.



- ▶ Manipule las baterías con cuidado a fin de evitar daños o escapes de líquido altamente peligroso para su salud.
- ▶ Las baterías no deben modificarse ni manipularse en ningún caso.
- ▶ Las baterías no se deben destruir, comprimir, calentar por encima de 80 °C (176 °F) o quemar.
- ▶ No utilice ni cargue baterías que hayan recibido algún golpe ni que estén dañadas de alguna otra forma. Compruebe con regularidad si las baterías presentan signos de daños.
- ▶ No utilice nunca baterías recicladas o reparadas.
- ▶ Nunca utilice la batería o una herramienta eléctrica de batería como herramienta de percusión.
- ▶ No exponga nunca las baterías a radiación solar directa, temperaturas elevadas, chispas o llamas abiertas. Esto puede provocar explosiones.
- ▶ No toque los polos de la batería con los dedos, con herramientas, con joyas o con otros objetos conductores de la electricidad. Esto puede dañar la batería y provocar otros daños materiales y lesiones.
- ▶ Mantenga las baterías alejadas de la lluvia, la humedad y los líquidos. Si entra humedad, pueden producirse cortocircuitos, descargas eléctricas, quemaduras, incendios y explosiones.
- ▶ Utilice únicamente cargadores y herramientas eléctricas concebidos para este tipo de baterías. Para ello, consulte las indicaciones recogidas en el manual de instrucciones correspondiente.
- ▶ No utilice ni almacene la batería en entornos con peligro de explosión.
- ▶ Si al tocar la batería detecta que está muy caliente, puede deberse a una avería en la misma. Coloque la batería en un lugar visible, no inflamable, a suficiente distancia de otros materiales inflamables. Deje que la batería se enfríe. Si, después de una hora, la herramienta sigue estando demasiado caliente para tocarla significa que está averiada. Diríjase al Servicio Técnico de **Hilti** o lea el documento «Indicaciones de seguridad y uso de las baterías de Ion-Litio de **Hilti**».

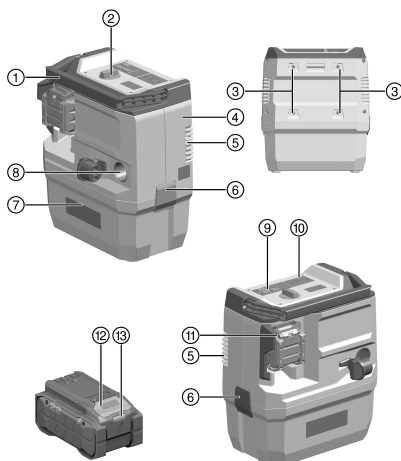


Tenga en cuenta las directivas especiales aplicables al transporte, almacenamiento y uso de las baterías de Ion-Litio. → página 44

Lea las instrucciones de seguridad y uso de las baterías de Ion-Litio de **Hilti**, que puede encontrar escaneando el código QR que se encuentra al final de estas instrucciones de uso.

### 3 Descripción

#### 3.1 Vista general del producto



- ① Empuñadura de transporte
- ② Interruptor de la herramienta
- ③ Soporte para mochila (opcional)
- ④ Cabezal de aspiración
- ⑤ Abertura de aire de escape
- ⑥ Bloqueo del depósito
- ⑦ Depósito de suciedad
- ⑧ Pieza de empalme de entrada (manguera de aspiración)
- ⑨ Panel de control y pantalla
- ⑩ Tapón ciego para módulo de radiotransmisión (opcional)
- ⑪ Compartimento para pilas
- ⑫ Tecla de desbloqueo de la batería
- ⑬ Indicador de estado de la batería

#### 3.2 Uso conforme a las prescripciones

El producto descrito es un extractor de polvo a batería concebido para uso industrial, p. ej., en obras, hoteles, escuelas, hospitales, fábricas, tiendas, oficinas o establecimientos de alquiler. Es apto para el uso tanto en seco como en húmedo.



Está prohibido utilizar este producto con personas o animales. Está prohibido utilizar la herramienta bajo el agua.

Este producto es apto para la aplicación **Hilti SafeSet**.

Los productos descritos aquí cumplen la directiva OSHA 1926.1153, Table 1.

- ▶ Antes de trabajar con el producto, infórmese sobre su manejo, los peligros relacionados con los materiales y el reciclaje seguro del material.
- ▶ No utilice el producto con la marcha continua fija en instalaciones automáticas o semiautomáticas.
- ▶ Para evitar el riesgo de lesiones, utilice exclusivamente accesorios y herramientas originales de **Hilti**.
- ▶ Para evitar efectos electrostáticos, utilice una manguera de aspiración antiestática.
- ▶ No aspire objetos que puedan ocasionar daños a través del saco de polvo (p. ej., agujas o elementos afilados).
- ▶ No utilice el producto como escalera.
- ▶ Observe las disposiciones locales sobre prevención de accidentes.

Este producto está destinado a uso industrial y es apropiado para las siguientes aplicaciones:

- aspiración de pequeñas cantidades de polvo con amoladoras de diamante, amoladoras tronzadoras, martillos perforadores y coronas perforadoras en seco de **Hilti**;
- Aspiración de aceite y sustancias líquidas con una temperatura inferior a 60 °C (140 °F).
- limpieza en seco y en húmedo de paredes y suelos.

En los desempolvadores es necesario contar con una tasa de renovación del aire L suficiente en la estancia si el aire de escape vuelve a dicha estancia. Respete la normativa nacional.

- Para este producto utilice únicamente baterías Li-Ion de la serie B 22 de **Hilti Nuron**. Para garantizar que este producto ofrece un rendimiento óptimo, **Hilti** recomienda utilizar las baterías indicadas en la tabla que encontrará el final de este manual de instrucciones.
- Para estas baterías utilice exclusivamente los cargadores **Hilti** de las series indicadas en la tabla que encontrará al final de este manual de instrucciones.

### 3.3 Posibles usos indebidos

- El aspirador no se debe utilizar en posición horizontal.
- El aspirador no se debe utilizar para aspirar materiales explosivos, para sustancias incandescentes, en llamas o inflamables ni para polvos agresivos (p. ej., el polvo de magnesio-aluminio) (excepción: virutas de madera).
- El aspirador no debe utilizarse para absorber líquidos inflamables (por ejemplo, gasolina, disolventes, ácidos, refrigerantes, lubricantes, etc.).
- No deben aspirarse materiales nocivos para la salud (p. ej., amianto).

### 3.4 Indicaciones de uso

#### Accesorios y tipos de aplicaciones

N.º de artículo	Accesorios	Tipo de aplicación
2305010	Filtro universal VC 10-22/140-2-22	Aplicaciones minerales, en húmedo y en seco
2305014	Saco para polvo de fieltro VC 10-22/140-2-22 (10)	Aplicaciones minerales, en húmedo y en seco
2305017	Saco para polvo de plástico VC 10-22/140-2-22 (10)	Aplicaciones minerales, en húmedo y en seco
2305011	Filtro HEPA/H VC 10-22/140-2-22	Filtro especial para polvos especialmente nocivos para la salud.

### 3.5 Aplicación Hilti SafeSet

**Hilti SafeSet** es un método para el ajuste óptimo de los anclajes químicos. Todos los componentes **SafeSet** se adaptan perfectamente entre sí y han sido probados y homologados como un sistema completo de acuerdo con las directrices de homologación internacionales.





Para obtener más información, visite [www.hilti.group](http://www.hilti.group) o póngase en contacto con su especialista de Hilti de anclajes químicos.

Antes de utilizar el producto con la aplicación **Hilti SafeSet**, tenga en cuenta todas las indicaciones y precauciones siguientes:

- ▶ Utilice el producto únicamente si se encuentra en perfecto estado. Asegúrese de que la junta entre el depósito de suciedad y el cabezal de aspiración no esté dañada y resulte totalmente hermética.
- ▶ Compruebe el estado del filtro. Si el filtro está desgastado u obstruido, cámbielo. → página 43
- ▶ Vacíe el depósito antes de empezar a trabajar con el producto.
- ▶ Asegúrese de que el tubo flexible no esté completamente enrollado ni doblado.
- ▶ Asegúrese de que la manguera de aspiración esté intacta y sea estanca.
- ▶ Utilice solo la manguera de aspiración original. No utilice prolongaciones ni adaptadores en Y para la manguera de aspiración.
- ▶ Si utiliza sacos para polvo de fieltro, coloque siempre un saco nuevo antes de iniciar una aplicación **SafeSet**.
- ▶ Utilice siempre el modo de funcionamiento con la máxima potencia de aspiración. No se permite el uso del modo de funcionamiento **ECO** para las aplicaciones **SafeSet**.

### 3.6 Suministro

Aspirador en seco y húmedo, incluidos elemento de filtro, manguera de aspiración completa con manguito de giro (en el extremo del aspirador) y manguito de herramienta, manual de instrucciones

Encontrará otros productos del sistema autorizados para su producto en su **Hilti Store** o en Internet, en: [www.hilti.group](http://www.hilti.group)

### 3.7 Bluetooth

Este producto está equipado con Bluetooth (opcional).

Bluetooth es una transferencia de datos inalámbrica con la que dos productos compatibles con Bluetooth se pueden comunicar a corta distancia.

### 3.8 Mostrar la batería Ion-Litio

Las baterías de Ion-Litio de **Hilti Nuron** pueden mostrar el estado de carga, los mensajes de error y el estado de la batería.

#### 3.8.1 Visualización del estado de carga y de los mensajes de error

##### ADVERTENCIA

##### Riesgo de lesiones por la caída de la batería

- ▶ Con la batería colocada, asegúrese tras pulsar la tecla de desbloqueo de que la batería vuelva a encajar correctamente en el producto empleado.

Para recibir una de las siguientes indicaciones, pulse brevemente la tecla de desbloqueo de la batería.

El estado de carga y las posibles averías también se muestran de forma permanente mientras el producto esté conectado.

Estado	Significado
Cuatro (4) LED encendidos permanentemente en verde	Estado de carga: 100 % a 71 %
Tres (3) LED encendidos permanentemente en verde	Estado de carga: 70 % a 51 %
Dos (2) LED se iluminan permanentemente en verde	Estado de carga: 50 % a 26 %
Un (1) LED está encendido permanentemente en verde	Estado de carga: 25 % a 10 %
Un (1) LED parpadea lentamente en verde	Estado de carga: < 10 %



Estado	Significado
Un (1) LED parpadea rápidamente en verde	La batería Ion-Litio está totalmente descargada. Cargue la batería. Si tras cargar la batería el LED sigue parpadeando rápidamente, diríjase al Servicio Técnico de <b>Hilti</b> .
Un (1) LED parpadea rápidamente en amarillo	La batería de Ion-Litio o el producto conectado a ella están sobrecargados, demasiado calientes, demasiado fríos o existe otro error. Ponga el producto y la batería en la temperatura de trabajo recomendada y no sobrecargue el producto durante su uso. Si sigue viendo el mensaje, diríjase al Servicio Técnico de <b>Hilti</b> .
Un (1) LED está encendido en amarillo	La batería Ion-Litio y el producto conectado a ella no son compatibles. Diríjase al servicio técnico de <b>Hilti</b> .
Un (1) LED parpadea rápidamente en rojo	La batería Ion-Litio está bloqueada y no puede seguir utilizándose. Diríjase al servicio técnico de <b>Hilti</b> .

### 3.8.2 Visualización del estado de la batería


Para consultar el estado de la batería, mantenga la tecla de desbloqueo pulsada durante más de tres segundos. El sistema no detecta un posible funcionamiento incorrecto de la batería debido a un mal uso, como caídas, hendiduras, daños por calor externo, etc.

Estado	Significado
Todos los LED se encienden como luz en movimiento y, a continuación, se enciende un (1) LED permanentemente en verde.	La batería puede seguir utilizándose.
Todos los LED se encienden como luz en movimiento y, a continuación, parpadea un (1) LED rápidamente en amarillo.	No se ha podido completar la consulta sobre el estado de la batería. Repita la operación o diríjase al Servicio Técnico de <b>Hilti</b> .
Todos los LED se encienden como luz en movimiento y, a continuación, parpadea un (1) LED permanentemente en rojo.	Cuando un producto conectado puede seguir utilizándose, la capacidad restante de la batería es inferior al 50 %.  Cuando un producto conectado ya no puede seguir utilizándose, la batería ha llegado al final de su vida útil y debe ser sustituida. Diríjase al servicio técnico de <b>Hilti</b> .

### 3.9 Indicadores y señales de aviso

El aspirador dispone de diferentes sistemas de vigilancia que emiten señales de aviso ópticas (indicadores LED) o acústicas (tono de advertencia):

#### Control del nivel de llenado


LED  encendido: la desconexión de protección en modo húmedo está activa.

- Vacíe el depósito y limpie las sondas.

#### Señal de advertencia de velocidad del aire

LED  encendido: La velocidad del aire en la manguera de aspiración ha caído por debajo de 20 m/s.

- Tenga en cuenta las indicaciones del capítulo **Ayuda en caso de averías**.

 Para que la señal de aviso se active correctamente, en el ajuste del diámetro de la manguera se debe introducir el diámetro de la manguera de aspiración utilizada.



### 3.10 Limpieza de filtro

#### ADVERTENCIA

**¡Peligro para las vías respiratorias en caso de gran densidad de polvo!** Las aplicaciones de sistema (en especial el lijado, el corte y el ranurado), así como la aplicación SafeSet, pueden generar un gran volumen de polvo.

- ▶ Cuando utilice el producto con aplicaciones de sistema o la aplicación SafeSet, tenga siempre activada la limpieza de filtro automática.

La limpieza de filtro solo funciona si está conectada la manguera de aspiración.

El aspirador dispone de una función de limpieza de filtro manual y automática a fin de mantener el elemento de filtro lo más limpio posible de polvo adherido.

La limpieza de filtro automática se puede desconectar pulsando la tecla de «Limpieza de filtro automática» y volverse a conectar pulsándola de nuevo.

Estado	Significado
LED encendido.	La limpieza de filtro está activada.
LED apagado.	La limpieza de filtro está desactivada.

Cada vez que se arranca el aspirador, la limpieza del filtro se conecta de forma automática.

El elemento de filtro se limpiará de forma automática mediante un chorro de aire (ruido pulsátil).

Durante las aplicaciones de sistemas (en especial al lijar, cortar y ranurar) o al aspirar grandes cantidades de polvo, la limpieza de filtro debe estar activada para permitir un rendimiento de aspiración elevado durante periodos prolongados.

Independientemente de la limpieza automática del filtro, se puede limpiar el filtro en cualquier momento pulsando la tecla «Limpieza de filtro manual».

Potencia de limpieza: Puede lograr el máximo rendimiento durante la limpieza de filtro cerrando la manguera y pulsando simultáneamente la tecla «Limpieza de filtro manual».

## 4 Datos técnicos

### 4.1 Características del producto

	VC 140-2-22
<b>Peso</b>	13 lb (6 kg)
<b>Dimensiones (Largo × ancho × alto)</b>	8,5 in × 13,8 in × 15,7 in (215 mm × 350 mm × 400 mm)
<b>Flujo volumétrico máx. (datos de turbinas)</b>	142 CFM (67 ℓ/s)
<b>Depresión máx.</b>	2 psi (17 kPa)
<b>Capacidad del depósito</b>	2 liq. gal <sub>US</sub> (8 ℓ)
<b>Volumen útil de polvo</b>	15 lb (7 kg)
<b>Volumen utilizado de agua</b>	1 liq. gal <sub>US</sub> (5 ℓ)
<b>Temperatura del aire</b>	14 °F ... 104 °F (-10 °C ... 40 °C)
<b>Limpieza automática del filtro</b>	con temporización



	<b>VC 140-2-22</b>
<b>Potencia absorbida</b>	1,01 hp (750 W)
<b>Clase de protección</b>	I
<b>Tipo de protección</b>	IP X4

## 4.2 Batería

<b>Tensión de servicio de la batería</b>	21,6 V
<b>Peso batería</b>	Véase al final del manual de instrucciones
<b>Temperatura ambiente en funcionamiento</b>	1 °F ... 140 °F (-17 °C ... 60 °C)
<b>Temperatura de almacenamiento</b>	-4 °F ... 104 °F (-20 °C ... 40 °C)
<b>Temperatura de la batería al comenzar la carga</b>	14 °F ... 113 °F (-10 °C ... 45 °C)

## 5 Preparación del trabajo

### ADVERTENCIA

#### Riesgo de lesiones por arranque involuntario.

- ▶ Antes de insertar la batería, asegúrese de que el producto correspondiente esté desconectado.
- ▶ Retire la batería antes de realizar ajustes en la herramienta o de cambiar accesorios.

Respete las indicaciones de seguridad y las advertencias presentes en esta documentación y en el producto.

### 5.1 Carga de la batería

1. Antes de cargarla, lea el manual de instrucciones del cargador.
2. Asegúrese de que los contactos de la batería y del cargador estén limpios y secos.
3. Cargue la batería en un cargador autorizado. → página 35

### 5.2 Colocación de la batería

#### ADVERTENCIA

#### Riesgo de lesiones por cortocircuito o caída de la batería.

- ▶ Antes de insertar la batería, asegúrese de que los contactos de la batería y del producto estén libres de cuerpos extraños.
- ▶ Asegúrese de que la batería encaje siempre correctamente.

1. Cargue por completo la batería antes de la primera puesta en servicio.
2. Introduzca la batería en el producto hasta que encaje de forma audible.
3. Compruebe que la batería está bien colocada.

### 5.3 Extracción de la batería

1. Pulse la tecla de desbloqueo de la batería.
2. Retire la batería del producto.

### 5.4 Sustitución del saco de polvo 2

1. Ponga el interruptor de la herramienta en la posición **OFF**.
2. Abra las dos pinzas de cierre.
3. Separe el cabezal de aspiración del depósito de suciedad.
4. Extraiga el saco para polvo.
  - ▶ Elimine el saco para polvo conforme a las normas vigentes.
5. Fije el soporte con el saco de polvo a las molduras del depósito de suciedad.



6. Coloque el cabezal de aspiración en el depósito de suciedad y cierre las dos pinzas de cierre.

### 5.5 Montaje/extracción de la manguera de aspiración

1. Para montarla, inserte la manguera de aspiración en la pieza de empalme de entrada.
2. Para retirarla, extraiga la manguera de aspiración de la pieza de empalme de entrada con movimientos giratorios.

## 6 Manejo

### PELIGRO

**Riesgo de lesiones.** En los aspiradores de las clases L, M y H, el aspirador contiene polvo peligroso para la salud.

- ▶ Los procesos de vaciado y mantenimiento, incluida la retirada de la bolsa colectora de polvo, los debe llevar a cabo únicamente personal especializado. Utilice el equipo de seguridad adecuado.
- ▶ Antes de retirar el aspirador de una zona con materiales peligrosos, aspire la parte exterior del aspirador, límpielo o empaquételo. Puesto que todas las piezas de la herramienta deben considerarse como sucias al salir de una zona peligrosa, adopte las medidas adecuadas para evitar una dispersión del polvo.
- ▶ Nunca utilice el aspirador sin el sistema de filtración completo.

### ADVERTENCIA

**Riesgo de lesiones.** Si se daña el sistema de filtración pueden producirse fugas de polvo dañino para la salud.

- ▶ En caso de emergencia (p. ej., si se rompe el filtro), desconecte el aspirador, extraiga el enchufe de la toma de corriente y antes de volver a utilizar el aspirador, solicite a una persona especializada que lo compruebe.

### PRECAUCIÓN

**Riesgo de lesiones causadas por movimientos descontrolados.** Si los frenos de las ruedas no están accionados, el aspirador puede moverse de forma descontrolada.

- ▶ Accione los frenos de las ruedas para que el aspirador se mantenga seguro.

### 6.1 Conexión y desconexión del aspirador



Para prolongar el tiempo de funcionamiento con batería, active la reducción de rendimiento de aspiración.

→ Para activarla o desactivarla, accione la tecla **ECO**.

Puede manejar el aspirador a través de un módulo Bluetooth con el correspondiente control a distancia (accesorio opcional).

→ Ponga el interruptor de la herramienta en la posición **BLUETOOTH**.

Lea y tenga en cuenta las indicaciones de seguridad y manejo en el manual de instrucciones del accesorio.

1. Para conectar, gire el interruptor de la herramienta a la posición **ON**.
2. Para desconectar, gire el interruptor de la herramienta a la posición **OFF**.

### 6.2 Limpieza del filtro

Solo se puede efectuar la limpieza de filtro con el aspirador encendido.

1. Cierre el extremo de la manguera.
  - ▶ Esto aumenta al máximo la potencia de limpieza.
2. Espere hasta que se haya generado la presión negativa máxima.
3. Pulse la tecla de control .

### 6.3 Aspiración de polvo seco



Antes de aspirar polvo seco y, en especial, polvo mineral, se debe comprobar siempre que en el depósito se encuentre el saco para polvo adecuado. De esta forma será muy sencillo proceder a limpiar y evacuar el material aspirado.



**⚠ PRECAUCIÓN**

**Riesgo de lesiones debido a polvos peligrosos para la salud.** Si no se utiliza un elemento de filtro se pueden producir fugas de material aspirado peligroso.

- ▶ Utilice el aspirador con el elemento filtrante insertado.
- ▶ Asegúrese de que el elemento de filtro esté seco y de que esté colocado el saco para polvo adecuado.

**6.4 Aspiración de líquidos****⚠ PRECAUCIÓN**

**Riesgo de lesiones debido a polvos peligrosos para la salud.** Si no se utiliza un elemento de filtro se pueden producir fugas de material aspirado peligroso.

- ▶ Utilice el aspirador con el elemento filtrante insertado.



Al aspirar lodo de perforación o materias sólidas, el elemento de filtro puede atascarse o dañarse. Durante la aspiración, esté atento a los cambios en el rendimiento de aspiración.

1. Compruebe el control del nivel de llenado. → página 44
2. A ser posible, utilice un elemento de filtro distinto para la aplicación en húmedo.

**6.5 Después de la aspiración de líquidos**

1. Abra las dos pinzas de cierre.
2. Levante el cabezal de aspiración del depósito de suciedad y colóquelo sobre una superficie plana.
  - ▶ Deje secar el elemento de filtro.
3. Vacíe el depósito de suciedad y lávelo con agua con ayuda de una manguera.
4. Compruebe el control del nivel de llenado. → página 44
5. Una vez seco, limpie el elemento de filtro frotándolo con la mano.
6. Compruebe si el elemento de filtro presenta daños.
  - ▶ Si el elemento de filtro está dañado, sustitúyalo.

**6.6 Después de aspirar**

1. Gire el interruptor de la herramienta hasta la posición **OFF**.
2. Vacíe el depósito y limpie el aspirador con un paño húmedo.
3. Guarde el aspirador en un lugar seco y protegido frente a posibles usos no autorizados.
  - ▶ **ADVERTENCIA:** Este aspirador debe guardarse únicamente en espacios cerrados.

**7 Cuidado y mantenimiento****⚠ ADVERTENCIA**

**Riesgo de lesiones con la batería colocada !**

- ▶ Extraiga siempre la batería antes de llevar a cabo tareas de cuidado y mantenimiento.

**Cuidado del producto**

- Elimine con precaución la suciedad fuertemente adherida.
- Las rejillas de ventilación, si las hay, deben limpiarse con cuidadosamente con un cepillo seco y suave.
- Limpie la carcasa solo con un paño ligeramente humedecido. No utilice productos de limpieza que contengan silicona, ya que podrían dañar las piezas de plástico.
- Utilice un paño limpio y seco para limpiar los contactos del producto.

**Cuidado de las baterías de Ion-Litio**

- No utilice nunca una batería con las rejillas de ventilación obstruidas. Limpie cuidadosamente las rejillas de ventilación con un cepillo seco y suave.
- Evite la exposición innecesaria de la batería al polvo o la suciedad. No exponga nunca la batería a altos niveles de humedad (por ejemplo, sumergiéndola en agua o dejándola bajo la lluvia). Si penetra agua en la batería, trátela como una batería dañada. Aíslela en un recipiente no inflamable y póngase en contacto con el Servicio Técnico de **Hilti**.



- Mantenga la batería limpia de aceite o grasa. No permita la acumulación innecesaria de polvo o suciedad en la batería. Limpie la batería con un cepillo seco y suave o con un paño limpio y seco. No utilice productos de limpieza que contengan silicona, ya que podrían dañar las piezas de plástico. No toque los contactos de la batería y no elimine de los contactos la grasa aplicada de fábrica.
- Limpie la carcasa solo con un paño ligeramente humedecido. No utilice productos de limpieza que contengan silicona, ya que podrían dañar las piezas de plástico.

### Mantenimiento

- Compruebe con regularidad que las piezas visibles no estén dañadas y los elementos de manejo funcionen correctamente.
- No utilice el producto si presenta daños o fallos que afecten al funcionamiento. Encargue inmediatamente la reparación del producto al Servicio Técnico de **Hilti**.
- Tras las tareas de cuidado y mantenimiento, coloque todos los dispositivos de protección y asegúrese de que funcionen correctamente.



Para garantizar un correcto funcionamiento, utilice exclusivamente piezas de repuesto y consumibles originales. Las piezas de repuesto, los consumibles y los accesorios autorizados por **Hilti** se pueden consultar en su **Hilti Store** o en: [www.hilti.group](http://www.hilti.group)

## 7.1 Instrucciones para el cuidado del aspirador



### ADVERTENCIA

**Peligro por corriente eléctrica.** Las reparaciones indebidas en componentes eléctricos pueden producir lesiones graves debido a descarga eléctrica.

- ▶ Encargue la reparación de los componentes eléctricos únicamente a personal técnico cualificado.
- ▶ Mantenga el aspirador seco, limpio y sin restos de aceite o grasa, en especial las superficies de la empuñadura. No utilice ningún producto de limpieza que contenga silicona.
- ▶ No utilice nunca el aspirador si tiene obstruidas las rejillas de ventilación. Limpie las rejillas de ventilación cuidadosamente con un cepillo seco. Evite que penetren cuerpos extraños en el interior de la abertura de la turbina.
- ▶ Limpie periódicamente el exterior del aspirador con un paño de limpieza ligeramente humedecido. Para limpiar el aspirador, no utilice pulverizadores, aparatos de chorro de vapor ni agua corriente, puesto que podría verse afectada la seguridad eléctrica del aspirador.
- ▶ Preste especial atención a la limpieza del borde superior del depósito y su ranura, ya que es crucial para el sellado entre el depósito de suciedad y el cabezal de aspiración.

## 7.2 Limpieza del filtro



El elemento de filtro es una pieza de desgaste.

No limpie el elemento de filtro golpeándolo contra superficies duras. No utilice limpiadores de aire comprimido ni objetos punzantes que puedan dañar el material del filtro. Así alargará la vida útil del elemento de filtro.

- ▶ Sustituya el elemento de filtro al menos una vez al semestre.
- ▶ En caso de uso muy frecuente, sustituya el elemento de filtro más a menudo.

## 7.3 Cambio del filtro

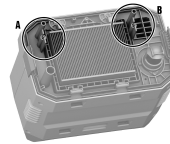
1. Ponga el interruptor de la herramienta en la posición **OFF**.
2. Abra las dos pinzas de cierre.
3. Levante el cabezal de aspiración del depósito de suciedad y coloque el cabezal de aspiración en la parte posterior.
4. Gire las fijaciones del filtro 180°.
5. Extraiga el marco del filtro con el filtro incluido.
  - ▶ Asegúrese de que no entre suciedad en la abertura de la turbina.
6. Retire el polvo de la junta y del alojamiento del marco del filtro.
7. Coloque el marco en un nuevo filtro.
8. Coloque el marco del filtro, con el filtro incluido, en el soporte para el marco.
9. Bloquee el marco del filtro con las fijaciones.



10. Coloque el cabezal de aspiración en el depósito de suciedad y cierre las dos pinzas de cierre.
11. Retire el polvo que pueda haberse desprendido del elemento de filtro o el aspirador.

#### 7.4 Comprobación del control del nivel de llenado

1. Ponga el interruptor de la herramienta en la posición **OFF**.
2. Abra las dos pinzas de cierre.
3. Levante el cabezal de aspiración del depósito de suciedad y coloque el cabezal de aspiración en la parte posterior.
  - ▶ Deje secar el elemento de filtro.
4. Compruebe la suciedad de los contactos de desconexión (sondas de hilo) **(A)** y **(B)** y, en caso necesario, límpielos con un cepillo suave.
5. Compruebe si hay suciedad en la junta del cabezal de aspiración y, en tal caso, elimínela con un paño.
6. Coloque el cabezal de aspiración en el depósito de suciedad.
7. Cierre las dos pinzas de cierre.
8. Asegúrese de que el cabezal de aspiración está montado correctamente y de que está bloqueado.



## 8 Transporte y almacenamiento de las baterías y sus herramientas

### Transporte

#### PRECAUCIÓN

#### Arranque involuntario en el transporte !

- ▶ Transporte sus productos siempre sin batería.
- ▶ Extraiga la(s) batería(s).
- ▶ Nunca transporte las baterías sin embalaje. Durante el transporte, las baterías deben estar protegidas frente a vibraciones y golpes excesivos y aisladas de todo material conductor y de otras baterías para que no entren en contacto con los polos de otras baterías y causen un cortocircuito. **Tenga en cuenta las normativas locales sobre el transporte de baterías.**
- ▶ Las baterías no deben enviarse por correo. Diríjase a una empresa de transporte si quiere enviar baterías no dañadas.
- ▶ Compruebe si el producto o las baterías están dañados antes de cada uso y antes y después de un transporte prolongado.

### Almacenamiento

#### ADVERTENCIA

#### Daños imprevistos debido a una batería defectuosa o agotada !

- ▶ Guarde su productos siempre sin batería.
- ▶ Guarde el producto y las baterías en un lugar fresco y seco. Tenga en cuenta los valores límite de temperatura que figuran en los datos técnicos.
- ▶ No almacene las baterías en el cargador. Extraiga siempre la batería del cargador después del proceso de carga.
- ▶ No guarde nunca las baterías en un lugar expuesto al sol, a fuentes de calor o detrás de un cristal.
- ▶ Guarde el producto y las baterías fuera del alcance de niños y personas no autorizadas.
- ▶ Compruebe si el producto o las baterías están dañados antes de cada uso y antes y después de un almacenamiento prolongado.

### 8.1 Transporte

El aspirador no debe colgarse de una grúa.

- ▶ Retire las herramientas sueltas del soporte.
- ▶ Vacíe el aspirador antes de transportarlo a otra ubicación.
- ▶ No incline el aspirador y transportéelo únicamente en posición vertical cuando haya aspirado líquidos.
- ▶ Junte los dos extremos de la manguera para transportarla con ayuda del adaptador cónico.





## 9 Ayuda en caso de averías

En caso de producirse una avería, compruebe el indicador de estado de la batería. Véase el capítulo **Mostrar la batería de Ion-Litio**.



Si se producen averías que no estén incluidas en esta tabla o que no pueda solucionar usted, diríjase al Servicio Técnico de **Hilti**.

Anomalía	Posible causa	Solución
La batería no se enclava con un clic audible.	Suciedad en la lengüeta de la batería.	► Limpie la lengüeta y encaje la batería.
Los LED de la batería no indican nada	La batería está defectuosa.	► Póngase en contacto con el Servicio Técnico de <b>Hilti</b> .
Rendimiento de aspiración reducido.	Depósito de suciedad lleno.	► Vacíe el depósito de suciedad.
	La manguera de aspiración o la boquilla están obstruidos.	► Limpie la manguera de aspiración y la boquilla.
	El filtro está obstruido	► Limpie el filtro. → página 41
		► Cambie el filtro. → página 43
		► Compruebe la correcta colocación del filtro.
La manguera de aspiración o la boquilla presentan daños.	► Sustituya la manguera de aspiración o la boquilla.	
La manguera de aspiración no está bien encajada.	► Monte o extraiga la manguera de aspiración. → página 41	
LED encendido, el aspirador se apaga automáticamente.	Depósito de suciedad lleno.	► Vacíe el depósito de suciedad.
LED encendido: La velocidad del aire en la manguera de aspiración ha caído por debajo de 20 m/s.	Saco para polvo lleno.	► Cambie el saco para polvo.
	El elemento de filtro está muy sucio.	► Si la limpieza automática del filtro está desactivada, actívela y deje que el aspirador funcione durante 30 s.
	La manguera de aspiración o el protector antipolvo de la herramienta eléctrica están obstruidos.	► Limpie la manguera de aspiración y el protector antipolvo.
	El interruptor para el ajuste del diámetro de la manguera se encuentra en una posición incorrecta.	► Ajuste el diámetro de la manguera.
La herramienta expulsa polvo.	El elemento de filtro no está montado correctamente.	► Vuelva a montar el elemento de filtro. → página 43
	El elemento de filtro está dañado.	► Coloque un elemento de filtro nuevo. → página 43
Descargas eléctricas leves.	Carga electrostática.	► Aumente la humedad. ► aspire en modo <b>ECO</b> .

## 10 Reciclaje



### ADVERTENCIA

**Riesgo de lesiones por un reciclaje indebido.** Riesgo para la salud debido a escapes de gases o líquidos.

- No envíe baterías dañadas bajo ningún concepto.
- Cubra las conexiones con un material no conductor para evitar cortocircuitos.
- Deshágase de las baterías de tal forma que no terminen en manos de niños.
- Elimine la batería en su **Hilti Store** o diríjase a su empresa de desechos.



Los productos **Hilti** están fabricados en su mayor parte con materiales reutilizables. La condición para dicha reutilización es una separación adecuada de los materiales. En muchos países, **Hilti** recoge las herramientas usadas para su recuperación. Pregunte al Servicio de Atención al Cliente de **Hilti** o a su asesor de ventas.



- ▶ No deseche las herramientas eléctricas, los aparatos eléctricos ni las baterías junto con los residuos domésticos.

---

## 11 Garantía del fabricante

---

- ▶ Si tiene alguna consulta acerca de las condiciones de la garantía, póngase en contacto con su sucursal local de **Hilti**.

---

## 12 Indicación FCC (válida en EE. UU.)/indicación IC (válida en Canadá)

---



En las pruebas realizadas, esta herramienta ha cumplido los valores límite que se estipulan en el apartado 15 de la normativa FCC para herramientas digitales de la clase A. Estos valores límites garantizan una protección adecuada frente a las perturbaciones electromagnéticas durante el funcionamiento en entornos comerciales. Las herramientas de este tipo generan y utilizan altas frecuencias y pueden por tanto emitirlos. Por esta razón, pueden provocar anomalías en la recepción radiofónica si no se han instalado y puesto en funcionamiento según las especificaciones correspondientes. El uso de esta herramienta en entornos residenciales puede provocar averías para cuya subsanación se requiere la intervención del usuario.

Este dispositivo está sujeto al párrafo 15 de la normativa FCC y a las especificaciones RSS-210 del ISED.

La puesta en servicio está sujeta a las dos condiciones siguientes:

- Esta herramienta no debe generar ninguna radiación nociva para la salud.
- La herramienta debe absorber cualquier tipo de radiación, incluso las provocadas por operaciones no deseadas.



Los cambios o modificaciones que no cuenten con la autorización expresa de **Hilti** pueden limitar el derecho del usuario a poner la herramienta en funcionamiento.

---

## 13 Más información

---

Encontrará información adicional sobre manejo, técnica, medioambiente y reciclaje en el siguiente enlace: [qr.hilti.com/manual?id=2232123&id=2253454](http://qr.hilti.com/manual?id=2232123&id=2253454)

Encontrará este enlace también al final del manual de instrucciones como código QR.



** NURON**

<b>B 22-55 (01)</b>	0,56 kg	1.23 lb
<b>B 22-85 (01)</b>	0,77 kg	1.70 lb
<b>B 22-110 (01)</b>	0,92 kg	2.03 lb
<b>B 22-170 (01)</b>	1,34 kg	2.95 lb
<b>B 22-255 (01)</b>	1,87 kg	4.12 lb

<b>C 4-22</b>
<b>C 6-22</b>
<b>C 8-22</b>





Hilti Corporation  
LI-9494 Schaan  
Tel.:+423 234 21 11  
Fax:+423 234 29 65  
[www.hilti.group](http://www.hilti.group)



2330316