

HILTI

TE DRS-4-A

English



1 Information about the documentation

1.1 About this documentation

- Read this documentation before initial operation or use. This is a prerequisite for safe, trouble-free handling and use of the product.
- Observe the safety instructions and warnings in this documentation and on the product.
- Always keep the operating instructions with the product and make sure that the operating instructions are with the product when it is given to other persons.

1.2 Explanation of signs used

1.2.1 Warnings

Warnings alert persons to hazards that occur when handling or using the product. The following signal words are used in combination with a symbol:



DANGER! Draws attention to imminent danger that will lead to serious personal injury or fatality.



WARNING! Draws attention to a potential hazard that could lead to serious personal injury or fatality.



CAUTION! Draws attention to a potentially dangerous situation that could lead to minor personal injury or damage to the equipment or other property.

1.2.2 Symbols in the documentation

The following symbols are used in this document:



Read the operating instructions before use



Instructions for use and other useful information

1.2.3 Symbols in the illustrations

The following symbols are used in illustrations:



These numbers refer to the corresponding illustrations found at the beginning of these operating instructions.

3

The numbering reflects the sequence of operations shown in the illustrations and may deviate from the steps described in the text.



Item reference numbers are used in the **overview illustrations** and refer to the numbers used in the **product overview section**.



These characters are intended to specifically draw your attention to certain points when handling the product.

1.3 Product information

Hilti products are designed for professional use and may be operated, serviced and maintained only by trained, authorized personnel. This personnel must be informed of any particular hazards that may be encountered. The product and its ancillary equipment can present hazards if used incorrectly by untrained personnel or if used not in accordance with the intended use.

The type designation and serial number are stated on the rating plate.

- ▶ Write down the serial number in the table below. You will be required to state the product details when contacting Hilti Service or your local Hilti organization to inquire about the product.

Product information

Dust removal attachment	TE DRS-4-A
Generation	01
Serial no.	

1.4 Declaration of conformity

We declare, on our sole responsibility, that the product described here complies with the applicable directives and standards. A copy of the declaration of conformity can be found at the end of this documentation. The technical documentation is filed and stored here:

Hilti Entwicklungsgesellschaft mbH | Tool Certification | Hiltistrasse 6 | 86916 Kaufering, Germany

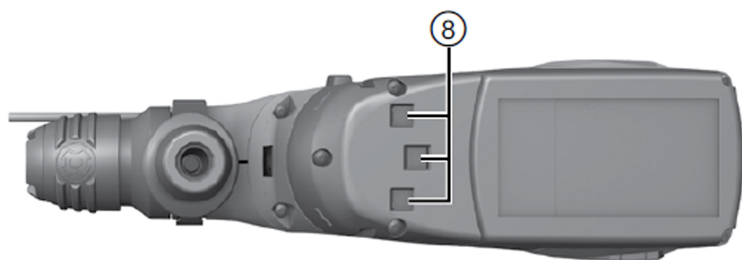
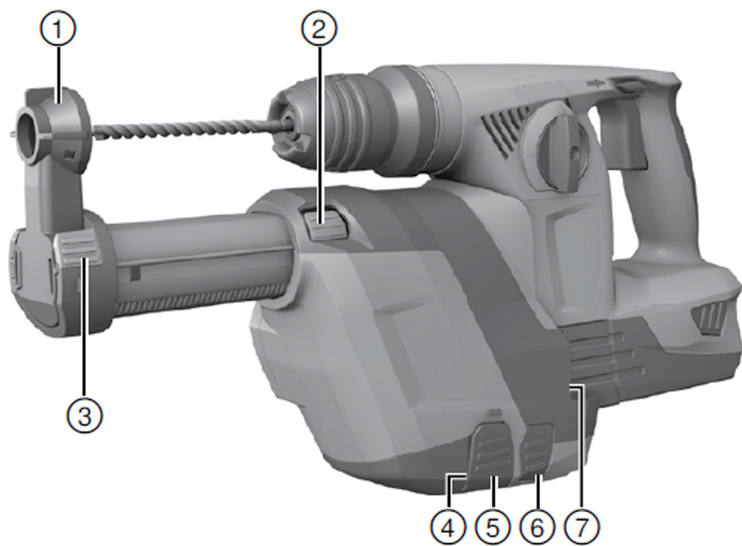
2 Safety

2.1 Safety instructions

- ▶ Observe all safety instructions in this documentation and in the documentation of the **Hilti** rotary hammer drill.
- ▶ Use respiratory protection to keep residual dust away from the face and airways when drilling and when servicing the tool or accessories.
- ▶ Always use the side handle on the **Hilti** rotary hammer drill, even when the dust removal module is fitted.
- ▶ Picking up materials hazardous to the health (e.g. asbestos) is not permissible.

3 Description

3.1 Overview of the product



- | | |
|------------------------------|--|
| ① Suction head | ⑥ DRS release button |
| ② Stroke limiter | ⑦ Guide (tool) |
| ③ Depth gauge | ⑧ Electrical interface on the tool, with sliding cover |
| ④ Dust container with filter | ⑨ DRS electrical interface |
| ⑤ Dust container release | |

3.2 Intended use

The TE DRS-4-A (01) dust removal module is an accessory for the **Hilti** TE 4-A22 (02) rotary hammer drill. It collects a high percentage of the dust and it attaches quickly and easily to the rotary hammer drill. The dust removal module has a built-in extractor fan. This fan is driven by its own motor. When the rotary hammer drill is switched on the dust removal module draws its electric power from the rotary hammer drill's battery. The dust removal module is not suitable for working on metal and wood.

Conditions: TE DRS-4-A T1

The TE DRS-4-A T1 satisfies the requirements of OSHA 1926.1153 Table 1.

3.3 Items supplied

Dust removal module, operating instructions.



Note

For safe, reliable operation, use only genuine Hilti spare parts and accessories. Spare parts, accessories and consumables approved by Hilti for use with this product can be found at your **Hilti** Center or at www.hilti.group.

4 Technical data

	TE DRS-4-A
Rated power input	60 W
Rated power input	250 ℓ/min
Weight	1 kg (2 lb)
Operating stroke	≤ 96 mm (≤ 3.8 in)
TE-C hammer drill bits used, ^o	5 mm ... 19 mm (3/16 in ... 5/8 in)

5 Operation

5.1 Preparations at the workplace



CAUTION

Risk of injury! Inadvertent starting of the product.

- ▶ Remove the battery before making any adjustments to the power tool or before changing accessories.

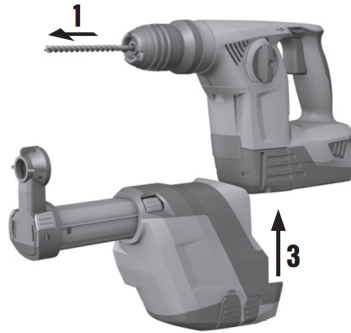
Observe the safety instructions and warnings in this documentation and on the product.

5.1.1 Fitting the dust removal module



Note

Before fitting the module, check that the attachment points and the electrical interfaces on the rotary hammer drill and dust removal module are free of dust and that the parts fit or move freely and easily.



1. Remove the battery.
2. Set the forward / reverse selector switch on the rotary hammer drill to the middle position.
3. Remove the depth gauge from the side handle.
4. Push the dust removal module onto the tool from the front until it engages.
5. After fitting, check that the dust removal module is secure.

5.2 Types of work

5.2.1 Setting the length (stroke)



WARNING

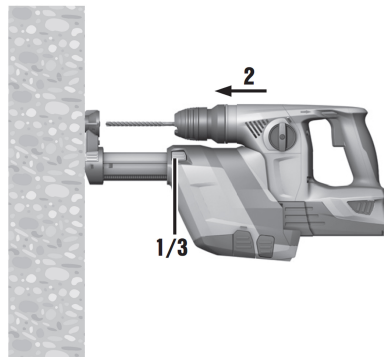
Risk of injury The telescopic section will jump out when the stroke preselection button is pressed.

- ▶ Hold the rotary hammer with the dust removal module so that the telescopic section cannot injure you when it jumps out.



Note

The default stroke setting is for a drill bit length of 170 mm. The stroke has to be adjusted if shorter drill bits are used.



1. Press the stroke length limiter and keep it pressed.
2. With the drill bit fitted, press the rotary hammer drill against the working surface until the tip of the drill bit comes into contact with the surface.
3. Release the stroke length limiter.

5.2.2 Setting drilling depth (depth gauge)



Note

If drilling depth has to be exact, drill test holes to establish the correct depth.

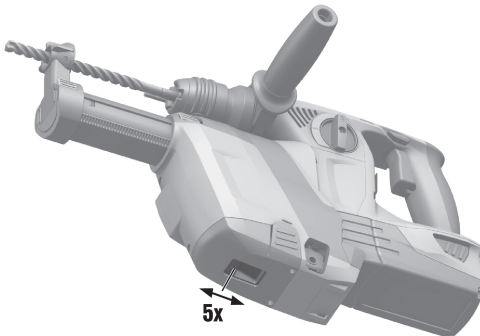
1. Press the depth gauge and keep it pressed in.
2. Move the ring to the desired drilling depth.
3. Release the depth gauge.

5.2.3 Cleaning the TE-DRS-T1 filter



Note

Clean the filter after drilling 5 holes (16 mm x 50 mm) (1/2 in x 3 in).



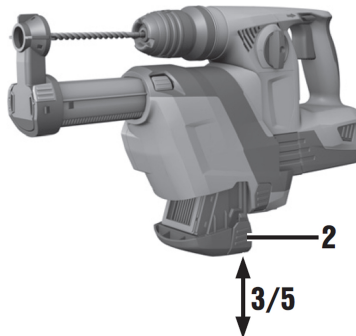
- ▶ When suction power diminishes, slide the cleaning mechanism 5 times forward and back until it audibly clicks on each slide.

5.2.4 Emptying the dust box



Note

Dust can escape if the filter is full, so it has to be emptied regularly. Wear respiratory protection when doing this.



1. Hold the power tool horizontal and allow it to run for a short time.
 - ◀ This ensures that residual dust deposits in the dust removal module are drawn into the dust box.
2. Press and hold down the release button of the dust container.
3. Pull the dust box down and clear of the dust removal module.
4. Empty the dust box.
5. Push the empty dust box back into the dust removal module from below until it engages.

5.2.5 Removing the dust removal module

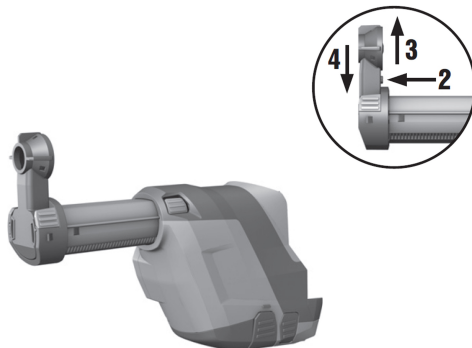
1. Remove the accessory tool.
2. Set the forward / reverse selector switch on the rotary hammer drill to the middle position.

3. Press and hold down the DRS release button.
4. Pull the dust removal module downwards away from the power tool.

6 Care and maintenance

- ▶ Check all parts of the module for signs of damage at regular intervals and make sure that they all function correctly. Do not use the module if parts are damaged or if they do not function correctly.
- ▶ Do not use water, oil, grease or cleaning products.
- ▶ Use only a dry brush and a cloth to clean the dust removal module.
- ▶ Do not touch the filter material when cleaning it and do not use compressed air to clean it. This can damage the filter material.

6.1 Changing the suction head



1. Remove the dust removal module. → page 6
2. Press and hold down the suction head release button.
3. Pull the old suction head up and out of its guide.
4. Press the new suction head into the guide until it engages.

7 Transport and storage of cordless tools

Transport



CAUTION

Inadvertent starting during transport. Uncontrolled starting during transport may occur if the battery is fitted, thereby resulting in damage to the tool.

- ▶ Always remove the battery before transporting the tool.

- ▶ Remove the battery.
- ▶ Transport the tool and batteries individually packaged.
- ▶ Never transport batteries in bulk form (loose, unprotected).
- ▶ Check the tool and batteries for damage before use after long periods of transport.

Storage



CAUTION

Inadvertent damage caused by defective battery. A leaking battery may damage the tool.

- ▶ Always remove the battery before storing the tool.

- ▶ Store the tool and batteries in a place that is as cool and dry as possible.
- ▶ Never store batteries in direct sunlight, on heating units or behind a window pane.
- ▶ Store the tool and batteries in a place where they cannot be accessed by children or unauthorized persons.
- ▶ Check the tool and batteries for damage before use after long periods of storage.


8 Troubleshooting

If the trouble you are experiencing is not listed in this table or you are unable to remedy the problem by yourself, please contact **Hilti** Service.

8.1 Troubleshooting

Trouble or fault	Possible cause	Action to be taken
An excessive amount of dust is generated.	The dust container is full.	▶ Empty the dust box. → page 6
	The filter is defective.	▶ Fit a new filter.
	The suction head is defective.	▶ Change the suction head.
	The suction head brush is worn.	▶ Change the suction head.
The drill bit is not centered in the suction head.	The dust removal module is not fitted correctly.	▶ Fit the dust removal module to the tool correctly.

9 Disposal

 Most of the materials from which **Hilti** tools and appliances are manufactured can be recycled. The materials must be correctly separated before they can be recycled. In many countries, your old tools, machines or appliances can be returned to **Hilti** for recycling. Ask **Hilti** Service or your Hilti representative for further information.



- ▶ Disposal of electric tools or appliances together with household waste is not permissible.

10 China RoHS (guideline on restriction of the use of dangerous substances)

The following link takes you to the table of dangerous substances: qr.hilti.com/2098487. You will find a link to the RoHS table, in the form of a QR code, at the end of this document.

11 Manufacturer's warranty

- ▶ Please contact your local **Hilti** representative if you have questions about the warranty conditions.



Hilti Aktiengesellschaft
Feldkircherstraße 100
9494 Schaan | Liechtenstein

TE DRS-4-A (01)

[2014]

2006/42/EG

EN ISO 12100

2011/65/EU

2014/30/EU

Schaan, 05/2015

Paolo Luccini

Head of BA Quality and
Process-Management
BA Electric Tools & Accessories

Tassilo Deinzer

Executive Vice President
BU Power Tools & Accessories





Hilti Corporation

LI-9494 Schaan

Tel.: +423/234 21 11

Fax: +423/234 29 65

www.hilti.group

Hilti = registered trademark of Hilti Corp., Schaan



20170829